



RACO

RACO Steel Boxes and Covers



RACO

GENERAL INFORMATION – STEEL BOXES AND COVERS

Applications: Steel Boxes

RACO® high-quality steel boxes:

- Are used in branch circuit wiring to splice wires
- Accommodate wiring devices, such as switches and receptacles
- Most may also serve as fixture supports
- Provide excellent protection for wiring system or devices
- Must be closed with a cover, light fixture canopy or wallplate
- Permit access to conductors for maintenance
- Allow for branch circuit runs
- Provide two-hour fire rating for 4x4 or smaller wall opening

Product Features: Outlet Boxes for Fixture or Fan Support

These high-quality boxes:

- Are listed to support lighting fixture canopies or fans
- Feature oversized #10 screws to provide strength and rigidity

Product Features:**Patented TKO® Knockouts**

- TKO® knockouts offer greater flexibility with RACO® patented combination 1/2" and 3/4" knockout
- Stock just one product instead of two or three
- One product for the installer to carry

TKO® Provides Reliable Grounding Path

- Independent tests conducted by UL prove that the TKO® passes the same high-current fault test used to test grounding bushings and ground lugs
- RACO® TKO® knockout is UL Listed, providing bonding without the use of bonding jumpers
- Suitable for bonding without any additional bonding means around concentric (or eccentric, TKO) knockouts where used in circuits above or below 250V
- This knockout does not impair the electrical connection to ground

Most RACO® Boxes Have At Least One Tapped #10-32 Grounding Hole

- The products that do not have a grounding hole are: plenum boxes catalog numbers 226 and 239

Product Features:**Combination Screw Heads**

- Cover and clamp screws have combination slotted/Phillips heads
- Self-tapping screws provide for 100% thread engagement

Metallic Boxes: Fire Resistance Rating Wall Penetrations*

Listed single- and double-gang metallic outlet and switch boxes

with metallic or nonmetallic cover plates, also 4x4 and octagon boxes may be used in bearing and non-bearing wood stud and steel stud walls with ratings not exceeding two hours.

The surface area of individual metallic outlet or switch boxes shall not exceed 16 square inches through a fire rated wall. The aggregate surface area of the boxes shall not exceed 100 square inches per 100 square feet. Boxes located on opposite sides of walls or partitions shall be separated by a horizontal distance of 24 inches.

The metallic outlet or switch boxes shall be securely fastened to the studs, and the opening in the wallboard facing shall be cut so that the clearance between the box and the wallboard does not exceed 1/8 inch.

*Reference: UL Fire Resistance Directory (Orange Book)

Standard Material: Steel Covers, Outlet And Switch Boxes

- Steel boxes and covers are made of .0625 inch thick pre-galvanized sheet steel
- Handy Box covers are made of .030 inch thick galvanized sheet steel



RACO®

GENERAL INFORMATION – STEEL BOXES AND COVERS

Compliances

RACO® steel boxes and covers generally carry the following compliance ratings. Check specific catalog pages for individual compliances.

- UL Listed – Standard 514-A, file E195978 (“QCIT” Category)
- Boxes are listed for their Electrical Applications (electrical codes), UL Green Book
- Boxes are listed for mechanical properties, including the Two-Hour Fire Rating, (building codes) UL Orange Book
- CSA Certified – C22.2 #18, CSA File LR-1082
- U.S. Federal Specification and Standards W-J-800
- ANSI/NEMA OS1
- Federal Manufacturer’s number 28488

Reference Data

- TKO® knockout U.S. Patent 4,640,433; Canada Patent 1,260,597
- Ceiling fan outlet box U.S. Patent 4,892,211; Canada Patent 1,324,360; Mexico Patent 166,125
- Far-side support (#978) U.S. Patent 4,898,357
- BOX-LOC® U.S. Patent 5,408,045 MEXICO Patent 186848
- Adjust-A-Brace® U.S. Patent 5,330,137 and 5,927,667 U.S.
- Steel Stud box Support (#978) 4,898,357 U.S.
- W.P. self tap holes 4,898,453 U.S. and 4,906,206 U.S.



For installation guidelines and to learn more about RACO products, visit the NEMA website at <http://www.nema.org>.

The National Electrical Manufacturers Association (NEMA) website is a valuable electrical resource providing the information you need - quickly. Standards and technical information, installation guides, industry news and economic trends, events/meetings, the latest electroindustry, and legislative and regulatory information for more than fifty-one product areas ranging from arc welding to x-ray machines can be found with just a few clicks of your mouse.

NEMA, celebrating its 75th anniversary in 2001, is the leading trade association in the United States representing the interests of electroindustry manufacturers. Founded in 1926 and headquartered near Washington, D.C., its 500 member companies manufacture products used in the generation, transmission and distribution, control, and end-use of electricity. Annual shipments of these products total \$100 billion.

GENERAL INFORMATION – STANDARDS, 1999 NATIONAL ELECTRICAL CODES®

Wiring Capacity: Steel Outlet And Switch Boxes; Cubic Inches**Maximum Number of Conductors or Minimum Size Box Required – National Electrical Code Article 370-16**

The purpose of NEC Article 370-16 is to determine the maximum conductor count or the minimum box size required for an application. It also may be used to determine how many other conductors may be added without exceeding the Code-prescribed limit. Most applications have determined the number of conductors. The question that then remains is the smallest (minimum) size box that is permitted. The rules of Article 370-16 are to be used to determine the Code-recognized limit.

Selection of an outlet or junction box for use in an electrical circuit work must take into consideration the maximum number of wires permitted in the box. Safe electrical practice demands that wires not be jammed into boxes because of the possibility of nicks, abrasions or other damage to the insulating material, creating the potential for ground faults or short circuits.

Article 370 – Boxes and Fittings

370-16. Number of Conductors in Outlet, Device, and Junction Boxes, and Conduit Bodies. Boxes shall be of sufficient size to provide free space for all enclosed conductors. In no case shall the volume of the box, as calculated in (a) below, be less than the fill calculation as calculated in (b) below. The minimum volume for conduit bodies shall be as calculated in (c) below.

The provisions of this section shall not apply to terminal housings supplied with motors. See Section 430-12.

Boxes and conduit bodies enclosing conductors, size #4 or larger, shall also comply with the provisions of Section 370-28.

(a) Box Volume Calculations. The volume of a wiring enclosure (box) shall be the total volume of the assembled sections, and, where used, the space provided by plaster rings, domed covers, extension rings, etc., that are marked with their volume in cubic inches or are made from boxes the dimensions of which are listed in Table 370-16(a).

(1) Standard Boxes. The volume of standard boxes that are not marked with a cubic inch capacity shall be as given in Table 370-16(a).

(2) Other Boxes. Boxes 100 cubic inches (1,640 cu. cm³.) or less, other than those described in Table 370-16(a), and nonmetallic boxes shall be durably and legibly marked by the manufacturer with their cubic inch capacity. Boxes described in Table 370-16(a) that have a larger cubic inch capacity than is designated in the table shall be permitted to have their cubic inch capacity marked as required by this section.

(b) Box Fill Calculations. The volumes in paragraphs (1) through (5) below, as applicable, shall be added together. No allowance shall be required for small fittings such as locknuts and bushings.

(1) Conductor Fill. Each conductor that originates outside the box and terminates or is spliced within the box shall be counted once, and each conductor that passes through the box without splice or termination shall be counted once. The conductor fill, in cubic inches, shall be computed using Table 370-16(b). A conductor, no part of which leaves the box, shall not be counted.

Exception: Where an equipment grounding conductor or not over four fixture wires smaller than #14, or both, enter a box, from a domed fixture or similar canopy and terminate within that box, it shall be permitted to omit these conductors from the calculations.

(2) Clamp Fill. Where one or more internal cable clamps, whether factory or field supplied, are present in the box, a single volume allowance in accordance with Table 370-16(b) shall be made based on the largest conductor present in the box. No allowance shall be required for a cable connector with this clamping mechanism outside the box.

(3) Support Fittings Fill. Where one or more fixture studs or hickey are present in the box, a single volume allowance in accordance with Table 370-16(b) shall be made for each type of fitting based on the largest conductor present in the box.

(4) Device or Equipment Fill. For each yoke or strap containing one or more devices or equipment, a double volume allowance in accordance with Table 370-16(b) shall be made for each yoke or strap based on the largest conductor connected to a device(s) or equipment supported by that yoke or strap.

(5) Equipment Grounding Conductor Fill. Where one or more equipment grounding conductor(s) enter(s) a box, a single volume allowance in accordance with Table 370-16(b) shall be made based on the largest equipment grounding conductor present in the box. Where an additional set of equipment grounding conductors, as permitted by Section 250-74, Exception #4, is present in the box, an additional volume allowance shall be made based on the largest equipment grounding conductor in the additional set.

Reprinted with permission from the NFPA 70-1999. *National Electrical Code*®, Copyright® 1999. National Fire Protection Association, Quincy, MA 02269. This reprinted material is not the complete and official position of the NFPA on the reference subject which is represented only by the standard in its entirety. *National Electrical Code*®, and NEC®, are registered trademarks of the National Fire Protection Association, Quincy, MA.



RACO®

GENERAL INFORMATION – STANDARDS, 1999 NATIONAL ELECTRICAL CODES®

MOST OFTEN REQUESTED ARTICLES OF THE 1999 NATIONAL ELECTRICAL CODE®	HOW RACO® PRODUCTS HELP COMPLETE THE INSTALLATION
<p>250-97 (d) Method of Bonding Service Equipment — Bonding Jumpers. Bonding jumpers are <u>not</u> required for concentric and eccentric knockouts <u>if</u> they are listed for the purpose.</p>	<p>This Article is used to ensure that there is ground continuity when a concentric or eccentric knockout is encountered. A bonding jumper is not required when using any of the RACO® patented TKO® knockout boxes, Catalog Numbers 189, 232, etc.</p>
<p>370-27 (a) Boxes at Lighting Fixture Outlets. Boxes to support light fixtures must be listed for fixture support. Exception: Device boxes are allowed to support wall mounted fixtures not over 6 lbs.</p>	<p>Device boxes use #6-32 screws to secure devices such as snap-switches and receptacles. They are not suitable for support of other than very lightweight lighting fixtures, such as some wall-bracket types. See Article 410-16. All RACO® 4" and 4-11/16" square boxes are listed for fixture support.</p>
<p>370-27 (b) Floor Boxes. Boxes listed specifically for this application shall be used for receptacles located in the floor. <i>Exception: Boxes located in elevated floors of show windows and similar locations where the authority having jurisdiction judges them free from physical damage, moisture and dirt.</i></p>	<p>Only boxes that are UL Listed for the application may be fastened into the floor. RACO® floor boxes are in Section E of this catalog.</p>
<p>370-27 (c) Boxes at Fan Outlets. Boxes that support ceiling fans must be listed for that purpose.</p>	<p>For any ceiling outlet that is intended to have a ceiling (paddle) fan installed, a UL Listed outlet box rated for ceiling fan support must be installed. RACO® offers a complete line of products designed for various applications and mounting needs.</p>
<p>410-10 Space for Conductors. Canopies and outlet boxes taken together shall provide adequate space so that fixture conductors and their connecting devices can be properly installed.</p>	<p>When calculating the minimum cubic inch requirements for an outlet box, the canopy may be included in the calculation at the discretion of the Authority Having Jurisdiction. If the canopy of the fixture/fan is marked with the cubic inch capacity, then the additional volume must be accepted by the Authority Having Jurisdiction.</p>
<p>410-16 (a) Means of Support – Outlet Boxes. Fixtures greater than 50 pounds cannot be supported by a fixture box unless the box has been listed for a heavier load.</p>	<p>All outlet boxes that are intended to be used with fixtures are tested in accordance with UL Standard 514-A.</p>
<p>410-56 (f) Receptacles in Raised Covers. Receptacles installed in cover shall not be secured solely by a single screw. Exception: Devices, assemblies or box covers listed and identified for such use. Note that this does not apply to wall plates.</p>	<p>The intent of the additional support screw is to prevent the device from coming loose. A loose device could cause a safety hazard to personnel while inserting or removing a plug.</p>

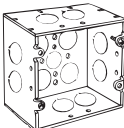
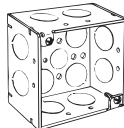


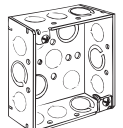
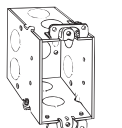
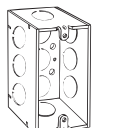

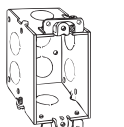
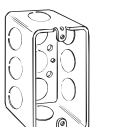
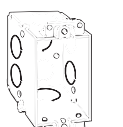
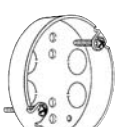


GENERAL INFORMATION – STANDARDS, 1999 NATIONAL ELECTRICAL CODES®

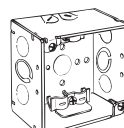
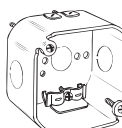
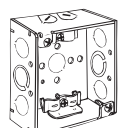
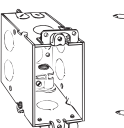
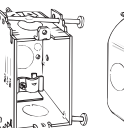
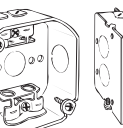
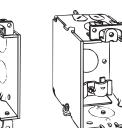


MOST OFTEN REQUESTED ARTICLES OF THE 1999 NATIONAL ELECTRICAL CODE®	HOW RACO® PRODUCTS HELP COMPLETE THE INSTALLATION
<p>422-18 Support of Ceiling Fans. (a) Ceiling Fans 35 lbs. or Less. Listed ceiling fans that do not exceed 35 pounds in weight, with or without accessories, shall be permitted to be supported by outlet boxes identified for such use and supported in accordance with Sections 370-23 and 370-27. (b) Ceiling Fans Exceeding 35 lbs. Boxes may support heavier loads when so listed, or the fan shall be supported independently of the outlet box. See Section 370-23.</p>	<p>Unless otherwise marked, a UL Listed outlet box listed for ceiling fan support can support a maximum of 35 pounds. All of RACO® steel fan outlet boxes use hardened #10-32 screws for support of the fan. Captive star lock-washers prevent the screws from loosening, providing a safe and secure installation.</p>
<p>800-52 (c) Installation of Communications Wires, Cables and Equipment — Electric Light or Power Circuits. Communications conductors shall not be placed in any raceway, compartment, outlet box, junction box, or similar fitting with conductors of electric light or power circuits or Class 1 circuits.</p>	<p>When power and voice/data are brought to one enclosure, a means of dividing the wiring is required. Voltage dividers are available on the following box types: 4" and 4-11/16" square boxes, three- and four-gang switch boxes, masonry boxes, and gang boxes.</p>

GENERAL INFORMATION - BOX SELECTION

STEEL BOX SELECTION CHART

CU. IN.	42.0	30.3	29.5	21.5	21.0	18.0	16.5
CONDUIT STEEL BOXES							
	4-11/16" Sq. 2-1/8" Deep	4" Sq. 2-1/8" Deep	4-11/16" Sq. 1-1/2" Deep	4" Sq. 2-1/8" Deep	4" Sq. 1-1/2" Deep	Switch 3-1/2" Deep	Handy 2-1/8" Deep
CU. IN.	15.5	14.0	13.0	12.5	6.0		
CONDUIT STEEL BOXES							
	4" Oct. 1-1/2" Deep	Switch 2-3/4" Deep	Handy 1-7/8" Deep	Switch 2-1/2" Deep	4" Rnd. Pan 1/2" Deep		

STEEL BOX SELECTION CHART

CU. IN.	30.3	21.5	21.0	18.0	15.8	15.5	14.0	12.5	4.0
CABLE STEEL BOXES									
	4" Sq. 2-1/8" Deep	4" Oct. 2-1/8"	4" Sq. 1-1/2" Deep	Switch 3-1/2" Deep	Switch 2-9/64" Deep	4" Oct. 1-1/2" Deep	Switch 2-3/4" Deep	Switch 2-1/2" Deep	3-1/2" Rnd. Pan 1/2" Deep



GENERAL INFORMATION – BOX SELECTION

Calculate The Minimum Size Box

Part (1) of Section 370-16(a) of the National Electrical Code describes the detailed way of counting wires, as well as clamps, fittings or devices (i.e., switches, receptacles, combination devices) — by establishing an equivalent conductor value for each. Those values are added together to get a total number of conductors. The minimum size box is the smallest one in Table 370-16(a) that can accommodate that number of conductors.

1. No matter how many ground wires come into a box, they only count as one conductor within the box.
2. Any wire running unbroken through the box counts as one wire.
3. Each wire coming into a splice device (crimp or twist-on type) is counted as one wire.

4. Each wire coming into the box and connecting to a device counts as one wire of that size.

5. Fixture studs, cable clamps and hickies are to be counted as one regardless of how many there may be. If a box contains two cable clamps, the total is only to be increased by one.

6. Where devices are mounted in the box, the total conductor count must be increased by two for each mounting strap.

Example #1: — Conduit Boxes:

Supply power to a switch that will control a remote light with #14 conductors. Metal conduit and fittings will be used as the wire way. You must provide space for four conductors and one switch, totaling 6. Read across the line “Deductions” in the **Box Fill Table** to column 6, then read down to the minimum cubic inches required for #14 conductor.

This example requires a minimum of 12.0 cubic inches.

Example #2: — Cable Boxes: This example will illustrate how the minimum size is determined for a box with cable clamps fed by two #12-2 nonmetallic sheathed cables and supplying a 15A duplex receptacle. After supplying the receptacle, the conductors are extended to other outlets.


Circuit conductors	4
Ground conductors	1
Cable clamps	1
Device (receptacle)	2
Total	8

Using the **Box Fill Table** below, read across the line “deductions” to column 8, then down to the minimum cubic inches required for #12 conductor. This example requires a minimum of 18.0 cubic inches.

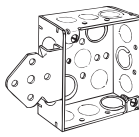
BOX FILL TABLE										
DEDUCTIONS		6	7	8	9	10	11	12	13	14
Volume Required per Conductor Size per Deductions	#18 (1.50)	9.00	10.50	12.00	13.50	15.00	16.50	18.00	19.50	21.00
	#16 (1.75)	10.50	12.25	14.00	15.75	17.50	19.25	21.00	22.75	24.50
	#14 (2.00)	12.00	14.00	16.00	18.00	20.00	22.00	24.00	26.00	28.00
	#12 (2.25)	13.50	15.75	18.00	20.25	22.50	24.75	27.00	29.25	31.50
	#10 (2.50)	15.00	17.50	20.00	22.50	25.00	27.50	30.00	32.50	35.00
	#8 (3.00)	18.00	21.00	24.00	27.00	30.00	33.00	36.00	39.00	42.00
#6 (5.00)	30.00	35.00	40.00	45.00	50.00	55.00	60.00	65.00	70.00	

GENERAL INFORMATION - BOX SELECTION

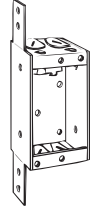
BRACKET TECHNICAL DATA											
BRACKET TYPE	"A"	"B"	"D"	"FA"	"FH"	"FM"	"J"	"LB"	"MS"	"TS"	"W"
LENGTH	6-7/16"	1-61/64"	6-1/4"	5-1/2"	7-3/8"	6-7/8"	2-3/8"	1-31/32"	4-1/2"	7"	6-25/32"
WIDTH	5/8"	2"	21/32"	2-1/4"	1-9/16"	1-9/16"	2-23/32"	3-3/64"	1-1/2"	1-1/16"	1-1/16"
OFFSET					3/8"	3/8"	1/4"			17/64"	1-5/16"
FOR METAL	✓		✓	✓		✓			✓	✓	✓
FOR WOOD	✓	✓	✓	✓	✓	✓	✓	✓		✓	✓



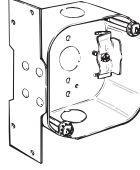
"A" Bracket
Positions handy box against face and side of stud. Very rigid.



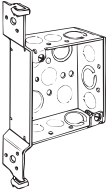
"B" Bracket
Face mounts on front edge of wood stud. Use when space between studs is limited.



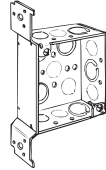
"D" Bracket
Allows box to be mounted on either side of stud.



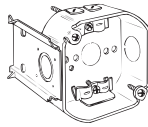
"FA" Bracket
Allows box to be flush mounted to stud or joist.



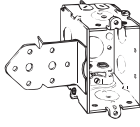
"FH" Bracket
Side-mount bracket with hooks that drive into face of stud.



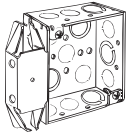
"FM" Bracket
Mounts on flat side of stud.




"J" Bracket
Spurs, slotted holes for toenailing. Gauging notches at 3/8" and 1/2".



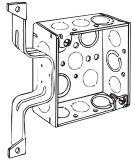
"LB" Bracket
Face mounts on front edge of wood stud. Use when space between studs is limited.



BOX-LOC® "MS" Bracket
Positions box on either side of stud.

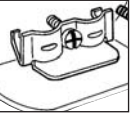


"TS" Bracket
Side-mount bracket for octagon, square, switch and handy boxes. Gauging tabs and recessed nailing spur. Very rigid.




"W" Bracket
Positions box away from side of stud to clear the trim molding of a door frame.


CLAMP TECHNICAL DATA AND STUD TYPE							
CLAMP TYPE	RACEWAY TYPE						
	ARMORED CABLE (BX)		METAL CLAD CABLE INTERLOCKING (MCI)		NONMETALLIC SHEATHED CABLE	FLEXIBLE CONDUIT	
	STEEL	ALUMINUM	STEEL	ALUMINUM		STEEL	ALUMINUM
"L" TYPE					#14-2 to #10-3 w/ground		
"X" TYPE	#14-2 (.444 in outer diam.) to largest size to fit in clamp	#14-2 (.444 in outer diam.) to largest size to fit in clamp	.425 to .600 outer diam.	.425 to .600 outer diam.		3/8" trade size	3/8" trade size
"#9 OR AOL" TYPE					#14-2 w/ground		
"BN" TYPE					#14-2 to #10-3 w/ground		
"Q" TYPE					#14-2 w/ground or #12-2 w/ground		



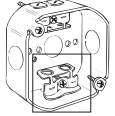
"L" TYPE




"X" TYPE



"#9 OR AOL" TYPE



"BN" TYPE



"O" TYPE

KNOCKOUTS AND PRIOUTS

1/2" CONDUIT KO

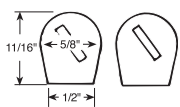
3/4" CONDUIT KO

1" CONDUIT KO

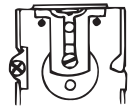
TKO CONDUIT KO

CABLE PRIOUTS Always in pairs.

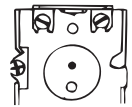
PLASTER EARS



FLAT-BOTTOMED CABLE PRIOUTS
Eliminate chance of cable being cut.



ONE-SCREW EAR



TWO-SCREW EAR

Adjustable plaster ears are included on many switch boxes and one octagon box. They are set forward 1/32".

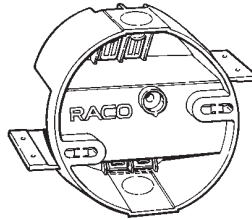


Application

- The RACO® 7120 is a premium box for rugged new work or old work ceiling fan and fixture installations

Product Features

- The 7120 is made of heavy-duty engineered polycarbonate
- Rated for 70 pound ceiling fan and fixture support
- Self-gripping wire entry clamps
- Grips the joist for hands free positioning and installation
- Positioning tabs provide fast accurate mounting on studs or joists
- Positioning tabs can easily be cut off in field for old work installation
- Designed to accommodate 1/2" thick sheetrock
- Mounting hardware and instructions included



**SADDLE BOX™
7120**

ORDERING INFORMATION - DIMENSIONS

4" ROUND CEILING FAN AND FIXTURE BOX – SADDLE BOX™ FOR NONMETALLIC SHEATHED CABLE OR CONDUIT – 12.5 CUBIC INCHES								
CATALOG NUMBER	DESCRIPTION	CABLE CLAMPS	KNOCKOUTS	CU. IN. CAP.	STD. PKG.	UPC BAR CODE	RECOMMENDED MAX. SUPPORT LOADS	
							CEILING FAN (DYNAMIC) LBS.	FIXTURE (STATIC) LBS.
7120	—	4	2-1/2"	12.5	20*		70	70

*Packaged in a stackable, individual chipboard box suitable for shelf display

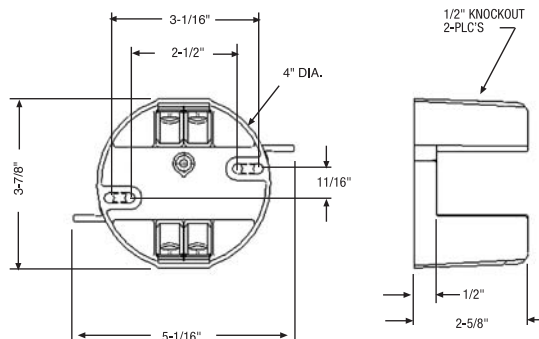
Compliances

- Standard 514-C, File E104681 and R9320
- RACO® 7120 is UL approved for nonmetallic wiring systems
- Boxes are listed for their Electrical Applications (Electrical Codes), UL Green Book
- Boxes are listed for mechanical properties, including the 2-hour Fire Rating, (building codes) UL Orange Book
- Federal Manufacturer's number 28488

Reference Data

- Cable clamp U.S. Patent 4,874,905 & 4,605,816; Canada Patent 1,233,900
- Mounting holes U.S. Patent 4,580,689; Canada Patent 1,237,515
- Hex device holes U.S. Patent 4,666,055; Canada Patent 1,260,599
- Cat. #7120 U.S. Patent 5,234,119; Mexico Patent 179,825

SADDLE BOX™



CEILING FAN SUPPORT PRODUCTS
1/2", 1-1/2" AND 2-1/8" DEEP



Application

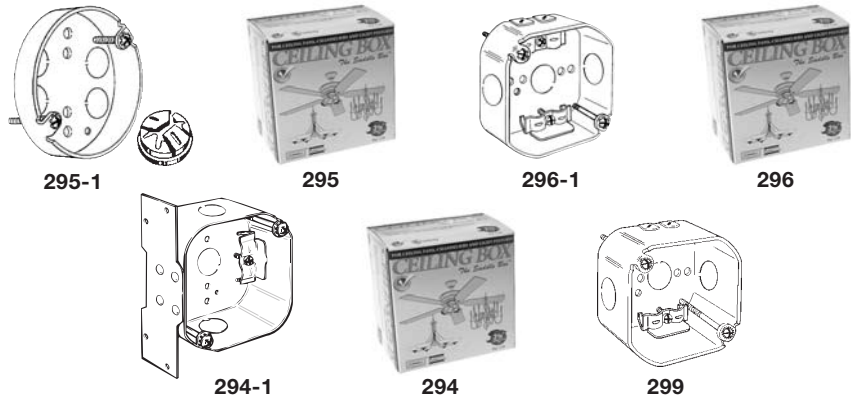
- RACO® Ceiling Support Boxes are specifically designed for ceiling fan and ceiling or wall light fixture support

Product Features

- 295-1, 295 include nonmetallic sheathed cable connector, mounting hardware, and instructions

Compliance

- – File E195978



ORDERING INFORMATION - DIMENSIONS

4" ROUND CEILING FAN PAN - 1/2" DEEP - DRAWN WITH CONDUIT KO'S - 6.0 CUBIC INCHES								
CATALOG NUMBER	DESCRIPTION	KNOCKOUTS			STD. PKG.	UPC BAR CODE	MAX. RECOMMENDED SUPPORT LOADS	
		SIDES		BOTTOM			CEILING FAN (DYNAMIC) LBS.	FIXTURE (STATIC) LBS.
		CABLE	COND.	COND.				
295-1	—	—	—	4-1/2"	10	—	35	75
295	—	—	—	4-1/2"	10*		35	75

*Packaged in a stackable, individual chipboard box suitable for shelf display

4" OCTAGON CEILING FAN BOX - 1-1/2" AND 2-1/8" DEEP - DRAWN WITH NONMETALLIC SHEATHED CABLE CLAMPS									
CATALOG NUMBER	BOX DEPTH	BOX VOLUME CU. IN.	KNOCKOUTS			STD. PKG.	UPC BAR CODE	MAX. RECOMMENDED SUPPORT LOADS	
			SIDES		BOTTOM			CEILING FAN (DYNAMIC) LBS.	FIXTURE (STATIC) LBS.
			CABLE	COND.	COND.				
296-1	1-1/2"	15.5	4	2-1/2"	1-1/2"	20	—	35	75
296	1-1/2"	15.5	4	2-1/2"	1-1/2"	8*		35	75
299	2-1/8"	21.5	4	2-1/2"	1-1/2"	6*		35	75

*Packaged in a stackable, individual chipboard box suitable for shelf display

4" OCTAGON CEILING FAN BOX - 2-1/8" DEEP - DRAWN WITH NONMETALLIC SHEATHED CABLE CLAMPS - 21.5 CUBIC INCHES								
CATALOG NUMBER	DESCRIPTION BRACKET & SETBACK	KNOCKOUTS			STD. PKG.	UPC BAR CODE	MAX. RECOMMENDED SUPPORT LOADS	
		SIDES		BOTTOM			CEILING FAN (DYNAMIC) LBS.	FIXTURE (STATIC) LBS.
		CABLE	COND.	COND.				
294-1	FA brkt., 1/2"	2	2-1/2"	1-1/2"	10	—	35	50
294	FA brkt., 1/2"	2	2-1/2"	1-1/2"	10*		35	50

*Packaged in a stackable, individual chipboard box suitable for shelf display

REPLACEMENT HARDWARE - FAN MOUNTING SCREWS			
CATALOG NUMBER	DESCRIPTION	SHIP CARTON QTY.	INNER PACK QTY.
8994	#10-32 x 1-3/8" replacement screws for RACO® catalog numbers 295, 295-1	500*	50
8995	#10-32 x 2-3/8" replacement screws for RACO® catalog numbers 296, 296-1	300*	30
8996	#10-32 x 3-1/2" replacement screws for RACO® catalog numbers 294, 294-1, 299	250*	25

*Sold in ship carton quantities only. Hubbell® RACO® does not break carton quantities on these items





Brace Applications

- RETRO-BRACE™ is intended for installations of heavy lighting fixtures or ceiling paddle fans in old work or new work applications
- KWIK-BRACE™ is for new work installations where the ceiling sheetrock has not been installed
- They are ideal for heavy lighting fixtures and ceiling paddle fans

RETRO-BRACE™ Product Features

- RETRO-BRACE™ is adjustable for joist spacing from 16" to 24"
- Simple "tool free" expansion of brace
- RETRO-BRACE™ has preset support brackets
- Easy-to-follow instructions and mounting hardware included

KWIK-BRACE™ Product Features

- KWIK-BRACE™ slides apart to accommodate joist spacing from 16" to 24"
- Nailing spurs allow for easy brace positioning
- Outlet box can be positioned in any location along its length
- Simple fastener for tightening outlet box and brace
- Easy-to-follow instructions and mounting hardware included

Concrete Ring Application

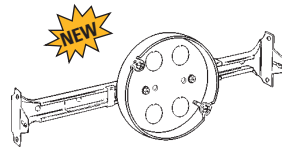
- Concrete rings are used with poured deck (floor) in high-rise construction

GORILLA RING™ Product Features

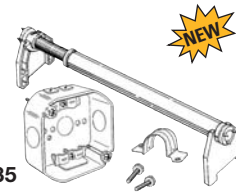
- GORILLA RING™ features mounting screws that allow for safe and secure mounting of any chandeliers, or lighting fixtures 75 lbs. or less
- Double row of KO's allow greater installation flexibility with a minimum of bends or offsets for working around reinforcing rods

Compliance

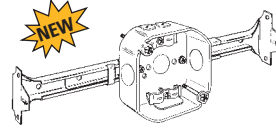
- – File E195978



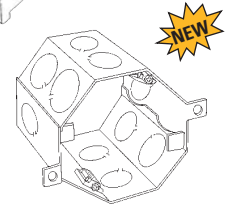
923, 924
KWIK-BRACE™



934, 935
RETRO-BRACE™



925-928
KWIK-BRACE™



284
GORILLA-RING™

ORDERING INFORMATION - DIMENSIONS

REMODELING BRACES FOR LIGHTING FIXTURES OR CEILING FANS – RETRO-BRACE™ WITH BOX FOR NONMETALLIC SHEATHED CABLE CLAMPS						
CATALOG NUMBER	DESCRIPTION	CU. IN. CAP.	STD. PKG.	UPC BAR CODE	MAX. RECOMMENDED SUPPORT LOADS	
					CEILING FAN (DYNAMIC) LBS.	FIXTURE (STATIC) LBS.
935	1-1/2" Deep Box Remodeling Kit	15.5	6*		35	50
934	2-1/8" Deep Box Remodeling Kit	21.5	6*		35	50

*Packaged in a stackable, individual chipboard box suitable for shelf display

NEW CONSTRUCTION BRACES FOR LIGHTING FIXTURES OR CEILING FANS – KWIK-BRACE™ WITH BOX FOR NONMETALLIC SHEATHED CABLE CLAMPS						
CATALOG NUMBER	DESCRIPTION	CU. IN. CAP.	STD. PKG.	UPC BAR CODE	MAX. RECOMMENDED SUPPORT LOADS	
					CEILING FAN (DYNAMIC) LBS.	FIXTURE (STATIC) LBS.
923	1/2" Deep box	6.0	18		35	75
924	1/2" Deep box	6.0	6*		35	75
925	1-1/2" Deep box	15.5	12		35	75
926	1-1/2" Deep box	15.5	6*		35	75
927	2-1/8" Deep box	21.5	12		35	75
928	2-1/8" Deep box	21.5	6*		35	75

*Packaged in a stackable, individual chipboard box suitable for shelf display

CONCRETE RING - 4" DEEP – FOR CEILING FAN SUPPORT – GORILLA RING™									
CATALOG NUMBER	DESCRIPTION	KNOCKOUTS			CU. IN. CAP.	STD. PKG.	UPC BAR CODE	MAX. RECOMMENDED SUPPORT LOADS	
		SIDES		BOTTOM				CEILING FAN (DYNAMIC) LBS.	FIXTURE (STATIC) LBS.
		CABLE	COND.	COND.					
284	RACO® 890 or 892 cover must be ordered separately	—	Double row 1/2" & 3/4"	—	49.3	6	—	35	75

REPLACEMENT HARDWARE – FAN MOUNTING SCREWS			
CATALOG NUMBER	DESCRIPTION	SHIP CARTON QTY.	INNER PACK QTY.
8994	#10-32 x 1-3/8" replacement screws for RACO® catalog numbers 923, 924	500*	50
8995	#10-32 x 2-3/8" replacement screws for RACO® catalog numbers 925, 926, 935	300*	30
8996	#10-32 x 3-1/2" replacement screws for RACO® catalog numbers 927, 928, 934	250*	25

*Sold in ship carton quantities only. Hubbell® RACO® does not break carton quantities on these items



CEILING PANS
1/2" AND 3/4" DEEP - 3-1/2" ROUND

Application

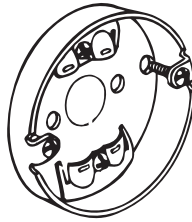
- Ceiling pans are used in the installation of ceiling or wall lighting fixtures
- **Ceiling pans on this page are not designed for ceiling fan support**

Product Feature

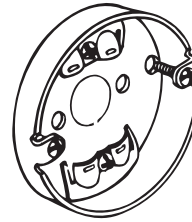
- Combination screw heads provide for faster installation

Compliance

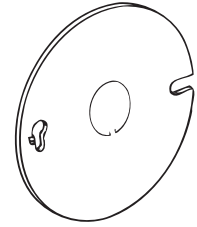
-  - File E195978



292, 8292



287



703

ORDERING INFORMATION - DIMENSIONS

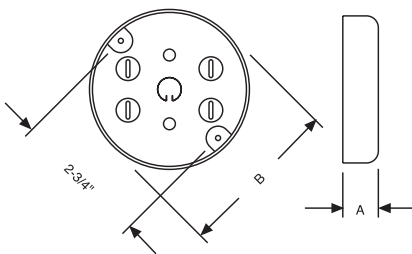
3-1/2" ROUND PAN - 1/2" DEEP - DRAWN WITH NONMETALLIC SHEATHED CABLE CLAMPS - 4.0 CUBIC INCHES								
CATALOG NUMBER	DESCRIPTION	KNOCKOUTS			STD. PKG.	UPC BAR CODE	MAX. RECOMMENDED SUPPORT LOADS	
		SIDES		BOTTOM			CEILING FAN (DYNAMIC) LBS.	FIXTURE (STATIC) LBS.
		CABLE	COND.	COND.				
292	Round ceiling pan	4 priouts	—	1-1/2"	50	—	No	50
8292	Round ceiling pan	4 priouts	—	1-1/2"	50		No	50

3-1/2" ROUND PAN - 3/4" DEEP - DRAWN WITH NONMETALLIC SHEATHED CABLE CLAMPS - 5.0 CUBIC INCHES								
CATALOG NUMBER	DESCRIPTION	KNOCKOUTS			STD. PKG.	UPC BAR CODE	MAX. RECOMMENDED SUPPORT LOADS	
		SIDES		BOTTOM			CEILING FAN (DYNAMIC) LBS.	FIXTURE (STATIC) LBS.
		CABLE	COND.	COND.				
287	Round ceiling pan	4 priouts	—	1-1/2"	50	—	No	50

3-1/2" ROUND COVER			
CATALOG NUMBER	DESCRIPTION	STD. PKG.	UPC BAR CODE
703	Flat, 1/2" KO in center	100	
8703-5	Flat, 1/2" KO in center	50*	

*5 Bundles of 10

3-1/2" ROUND PAN



DIMENSIONS		
CATALOG NUMBER	A	B
292, 8292	9/16"	3-3/8"
287	3/4"	3-3/8"

Applications

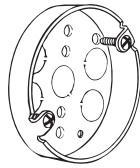
- Ceiling pans are used in the installation of ceiling or wall lighting fixtures
- **RACO 293 and 8293 are not designed for ceiling fan support**

Product Features

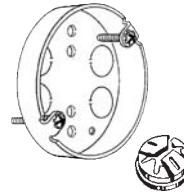
- 295-1, 295 include nonmetallic sheathed cable connector, mounting hardware, and instructions
- Lock-washers on 295, 295-1 prevent the high-strength, hardened screws from loosening from vibration

Compliance

-  – File E195978



293, 8293



295-1



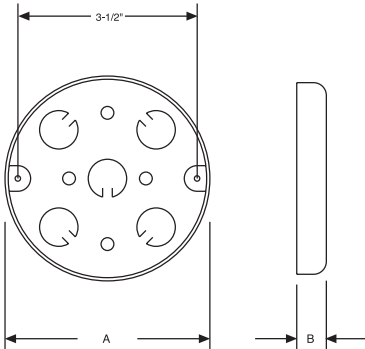
295

ORDERING INFORMATION - DIMENSIONS

4" ROUND CEILING FAN AND FIXTURE PAN - 1/2" DEEP - DRAWN WITH CONDUIT KO'S - 6.0 CUBIC INCHES							
CATALOG NUMBER	DESCRIPTION	KNOCKOUTS		STD. PKG.	UPC BAR CODE	MAX. RECOMMENDED SUPPORT LOADS	
		SIDES	BOTTOM			CEILING FAN (DYNAMIC) LBS.	FIXTURE (STATIC) LBS.
		COND.	COND.				
293	Rnd. ceiling pan	—	5-1/2"	50	—	No	50
8293	Rnd. ceiling pan	—	5-1/2"	50		No	50
295-1	—	—	4-1/2"	10	—	35	75
295	—	—	4-1/2"	10*		35	75

*Packaged in a stackable, individual chipboard box suitable for shelf display

4" ROUND PAN



DIMENSIONS		
CATALOG NUMBER	A	B
293, 8293	4"	9/16"
295, 295-1	4"	9/16"

OCTAGON BOXES
1-1/2" DEEP

Applications

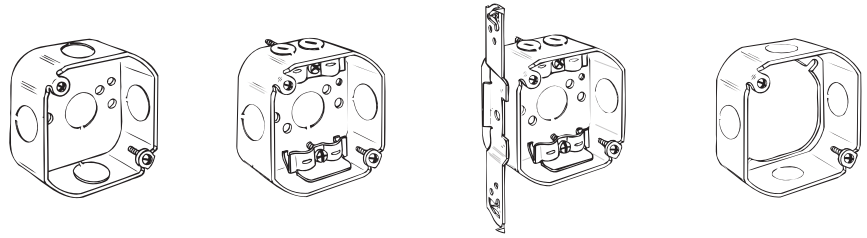
- Octagon boxes can be used in the installation of ceiling or wall lighting fixtures
- Extension rings provide a means for adding additional cubic capacity or as an outlet box for surface conduit

Product Features

- Combination screw heads provide for faster installation
- RACO® offers a variety of labor saving mounting brackets that allow for easy positioning of box along studs or joists
- See Box Selection section in the front of this catalog for complete description of bracket types and features

Compliance

-  – File E195978




110

112


119

111

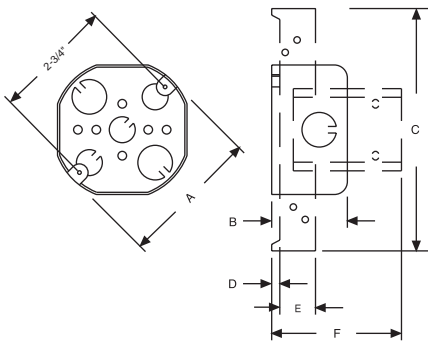
ORDERING INFORMATION - DIMENSIONS

3-1/2" OCTAGON BOX - 1-1/2" DEEP - DRAWN WITH CONDUIT KO'S - 11.8 CUBIC INCHES							
CATALOG NUMBER	DESCRIPTION BRACKET & SETBACK	KNOCKOUTS		STD. PKG.	UPC BAR CODE	MAX. RECOMMENDED SUPPORT LOADS	
		SIDES COND.	BOTTOM COND.			CEILING FAN (DYNAMIC) LBS.	FIXTURE (STATIC) LBS.
110	—	4-1/2"	1-1/2"	50		No	50

3-1/2" OCTAGON BOX - 1-1/2" DEEP - DRAWN WITH NONMETALLIC SHEATHED CABLE CLAMPS- 11.8 CUBIC INCHES								
CATALOG NUMBER	DESCRIPTION BRACKET & SETBACK	KNOCKOUTS			STD. PKG.	UPC BAR CODE	MAX. RECOMMENDED SUPPORT LOADS	
		SIDES		BOTTOM			CEILING FAN (DYNAMIC) LBS.	FIXTURE (STATIC) LBS.
		CABLE	COND.	COND.				
112	—	4	2-1/2"	1-1/2"	50	—	No	50
119	TS brkt., 1/2"	4	1-1/2"	1-1/2"	25	—	No	50

3-1/2" OCTAGON EXTENSION RING - 1-1/2" DEEP - DRAWN WITH CONDUIT KO'S - 11.8 CUBIC INCHES					
CATALOG NUMBER	DESCRIPTION BRACKET & SETBACK	KNOCKOUTS		STD. PKG.	UPC BAR CODE
		SIDES COND.	BOTTOM COND.		
111	Extension ring	4-1/2"	—	25	

3-1/2" OCTAGON BOXES



DIMENSIONS					
CATALOG NUMBER	A	B	C	D	E
110	3-7/16"	1-9/16"	—	—	—
112	3-7/16"	1-9/16"	—	—	—
119	3-7/16"	1-9/16"	7-5/32"	1/2"	1-1/4"
111	3-7/16"	1-9/16"	—	—	—

Application

- Octagon boxes are used in the installation of ceiling or wall lighting fixtures

Product Features

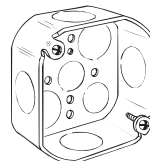
- Combination screw heads provide for faster installation
- RACO® offers a variety of labor saving mounting brackets that allow for easy positioning of box along studs or joists
- See Box Selection section in the front of this catalog for complete description of bracket types and features

Compliance

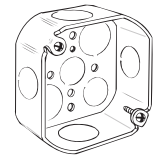
-  - File E195978



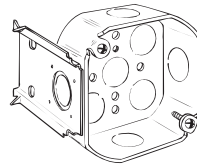
125, 8125



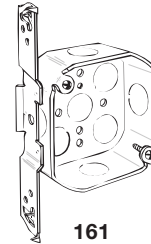
126



127, 8127



158

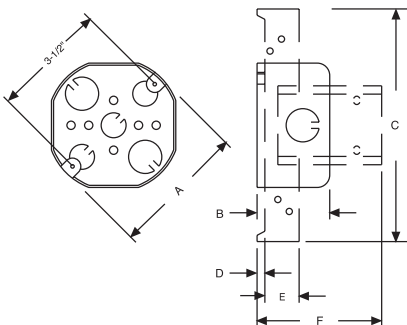


161

ORDERING INFORMATION - DIMENSIONS

4" OCTAGON BOX - 1-1/2" DEEP - DRAWN WITH CONDUIT KO'S - 15.5 CUBIC INCHES							
CATALOG NUMBER	DESCRIPTION BRACKET & SETBACK	KNOCKOUTS		STD. PKG.	UPC BAR CODE	MAX. RECOMMENDED SUPPORT LOADS	
		SIDES	BOTTOM			CEILING FAN (DYNAMIC) LBS.	FIXTURE (STATIC) LBS.
	COND.	COND.					
125	—	4-1/2"	5-1/2"	50	—	No	50
8125	—	4-1/2"	5-1/2"	50		No	50
126	—	4-3/4"	3-1/2" 2-3/4"	50	—	No	50
127	—	2-1/2" 2-3/4"	3-1/2", 2-3/4"	50	—	No	50
8127	—	2-1/2" 2-3/4"	3-1/2", 2-3/4"	50		No	50
158	J brkt., 3/8" or 1/2"	4 -1/2"	5-1/2"	50		No	50
161	TS brkt., 1/2"	3-1/2"	5-1/2"	50		No	50

4" OCTAGON



DIMENSIONS						
CATALOG NUMBER	A	B	C	D	E	F
125, 8125	4"	1-9/16"	—	—	—	—
126	4"	1-9/16"	—	—	—	—
127, 8127	4"	1-9/16"	—	—	—	—
158	4"	1-9/16"	—	1/2"	—	3-1/8"
161	4"	1-9/16"	7-5/32"	1/2"	1-1/4"	—

OCTAGON BOXES
1-1/2" DEEP

RACO STEEL BOXES
& COVERS

Applications

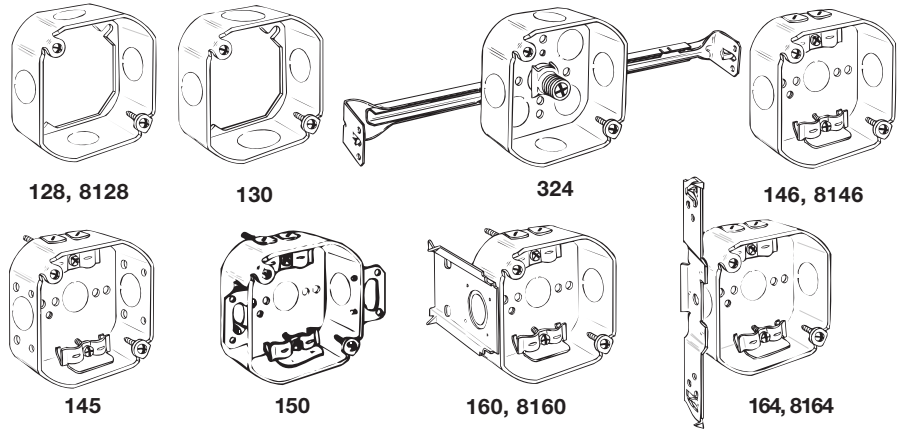
- Octagon boxes are used in the installation of ceiling or wall lighting fixtures
- Extension rings provide a means for adding additional cubic capacity or as an outlet box for surface conduit

Product Features

- RACO® offers a variety of labor saving mounting brackets that allow for easy positioning of box along studs or joists
- See Box Selection section in the front of this catalog for complete description of bracket types and features
- Fixture bar hanger allows box to be located anywhere along length of bar
- RACO® 324 includes a 3/8" trade sized stud to accommodate fixture stem
- Combination screw heads provide for faster installation

Compliances

- – File E195978
- – File LR-1082 (128, 8128, 130)



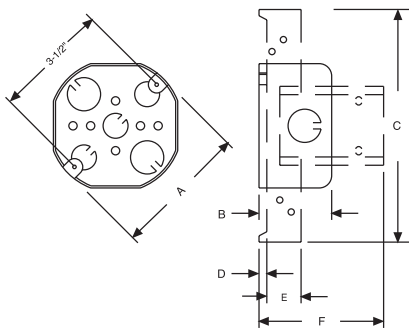
ORDERING INFORMATION - DIMENSIONS

4" OCTAGON EXTENSION RINGS – 1-1/2" DEEP – DRAWN WITH CONDUIT KO'S – 15.5 CUBIC INCHES					
CATALOG NUMBER	DESCRIPTION BRACKET & SETBACK	KNOCKOUTS		STD. PKG.	UPC BAR CODE
		SIDES COND.	BOTTOM COND.		
128	Extension ring	4-1/2"	—	50	—
8128	Extension ring	4-1/2"	—	25	
130	Extension ring	2-1/2", 2-3/4"	—	50	

4" OCTAGON WITH BAR HANGER – 1-1/2" DEEP – DRAWN WITH CONDUIT KO'S – 15.5 CUBIC INCHES							
CATALOG NUMBER	DESCRIPTION BRACKET & SETBACK	KNOCKOUTS		STD. PKG.	UPC BAR CODE	MAX. RECOMMENDED SUPPORT LOADS	
		SIDES COND.	BOTTOM COND.			CEILING FAN (DYNAMIC) LBS.	FIXTURE (STATIC) LBS.
324	3/8" Stud, adj. 14-1/4" to 22-1/2"	4-1/2"	4-1/2"	25		No	10*

*UL Rated at 50 lbs.

4" OCTAGON BOXES



4" OCTAGON BOX – 1-1/2" DEEP – DRAWN WITH NONMETALLIC SHEATHED CABLE CLAMPS – 15.5 CUBIC INCHES								
CATALOG NUMBER	DESCRIPTION BRACKET & SETBACK	KNOCKOUTS			STD. PKG.	UPC BAR CODE	MAX. RECOMMENDED SUPPORT LOADS	
		SIDES		BOTTOM			CEILING FAN (DYNAMIC) LBS.	FIXTURE (STATIC) LBS.
		CABLE	COND.	COND.				
146	—	4	2-1/2"	1-1/2"	50	—	No	50
8146	—	4	2-1/2"	1-1/2"	50		No	50
145	Side holes, 1/8" & 1/4"	4	2-1/2"	1-1/2"	50	—	No	50
150	Ears	4	2-1/2"	1-1/2"	50		No	50
160	J brkt., 3/8" or 1/2"	4	2-1/2"	1-1/2"	50	—	No	50
8160	J brkt., 3/8" or 1/2"	4	2-1/2"	1-1/2"	50		No	50
164	TS brkt., 1/2"	4	1-1/2"	1-1/2"	50	—	No	50
8164	TS brkt., 1/2"	4	1-1/2"	1-1/2"	50		No	50

DIMENSIONS

CATALOG NUMBER	A	B	C	D	E	F
146, 8146	4"	1-9/16"	—	—	—	—
145	4"	1-9/16"	—	—	—	—
150	4"	1-9/16"	—	—	—	—
160, 8160	4"	1-9/16"	—	1/2"	—	3-1/8"
164, 8164	4"	1-9/16"	7-5/32"	1/2"	1-1/4"	—



Application

- Octagon boxes are used in the installation of ceiling or wall lighting fixtures

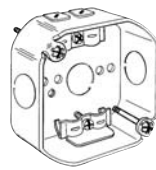
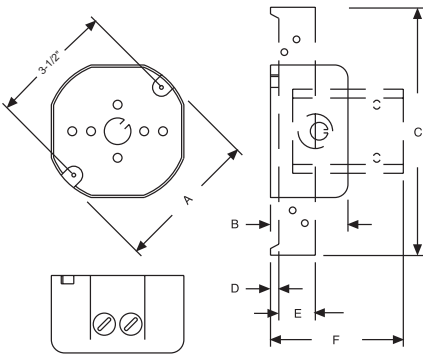
Product Features

- RACO® offers a variety of labor saving mounting brackets that allow for easy positioning of box along studs or joists
- See Box Selection section in the front of this catalog for complete description of bracket types and features
- Fixture bar hanger allows box to be located anywhere along length of bar
- RACO® 326, 8326 includes 3/8" trade sized stud to accommodate fixture stem
- RACO® 296, 296-1 ceiling fan boxes have lock-washers to prevent the high-strength, hardened screws from loosening from vibration
- 296, 296-1 include mounting hardware and instructions

Compliance

-  – File E195978

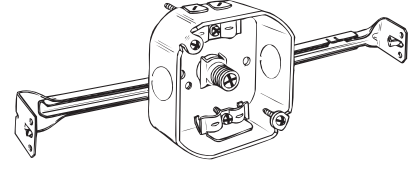
4" OCTAGON BOXES



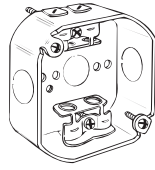
296-1



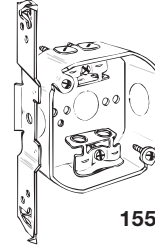
296



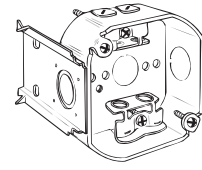
326, 8326



153



155



157

ORDERING INFORMATION - DIMENSIONS

4" OCTAGON CEILING FAN AND FIXTURE BOX – 1-1/2" DEEP – DRAWN WITH NONMETALLIC SHEATHED CABLE CLAMPS – 15.5 CUBIC INCHES								
CATALOG NUMBER	DESCRIPTION BRACKET & SETBACK	KNOCKOUTS			STD. PKG.	UPC BAR CODE	MAX. RECOMMENDED SUPPORT LOADS	
		SIDES		BOTTOM			CEILING FAN (DYNAMIC) LBS.	FIXTURE (STATIC) LBS.
		CABLE	COND.	COND.				
296-1	—	4	2-1/2"	1-1/2"	20	—	35	75
296	—	4	2-1/2"	1-1/2"	8*		35	75

*Packaged in a stackable, chipboard box suitable for shelf display

4" OCTAGON WITH BAR HANGER – 1-1/2" DEEP – DRAWN WITH NONMETALLIC SHEATHED CABLE CLAMPS – 15.5 CUBIC INCHES								
CATALOG NUMBER	DESCRIPTION BRACKET & SETBACK	KNOCKOUTS			STD. PKG.	UPC BAR CODE	MAX. RECOMMENDED SUPPORT LOADS	
		SIDES		BOTTOM			CEILING FAN (DYNAMIC) LBS.	FIXTURE (STATIC) LBS.
		CABLE	COND.	COND.				
326	3/8" Stud, adj. 14-1/4" to 22-1/2"	4	2-1/2"	—	25	—	No	10*
8326	3/8" Stud, adj. 14-1/4" to 22-1/2"	4	2-1/2"	—	25		No	10*

*UL Rated at 50 lbs.

4" OCTAGON BOX – 1-1/2" DEEP – DRAWN WITH ARMORED CABLE/METAL CLAD/FLEX CLAMPS – 15.5 CUBIC INCHES								
CATALOG NUMBER	DESCRIPTION BRACKET & SETBACK	KNOCKOUT			STD. PKG.	UPC BAR CODE	MAX. RECOMMENDED SUPPORT LOADS	
		SIDES		BOTTOM			CEILING FAN (DYNAMIC) LBS.	FIXTURE (STATIC) LBS.
		CABLE	COND.	COND.				
153	—	4	2-1/2"	1-1/2"	25		No	50
155	TS brkt., 1/2"	4	1-1/2"	1-1/2"	50		No	50
157	J brkt., 3/8" or 1/2"	4	2-1/2"	1-1/2"	50		No	50

DIMENSIONS

CATALOG NUMBER	A	B	C	D	E	F
296, 296-1	4"	1-9/16"	—	—	—	—
153	4"	1-9/16"	—	—	—	—
155	4"	1-9/16"	7-5/32"	1/2"	1-1/4"	—
157	4"	1-9/16"	—	1/2"	—	3-1/8"



RACO®

OCTAGON BOXES
1-1/2" AND 2-1/8" DEEP

Application

- Octagon boxes are used in the installation of ceiling or wall lighting fixtures

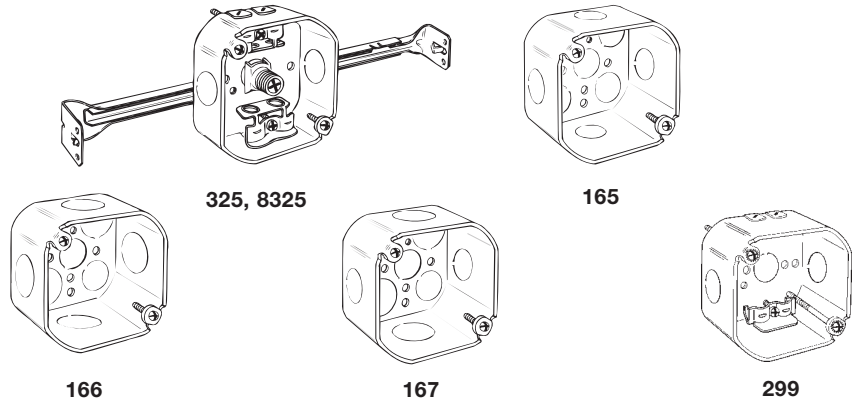
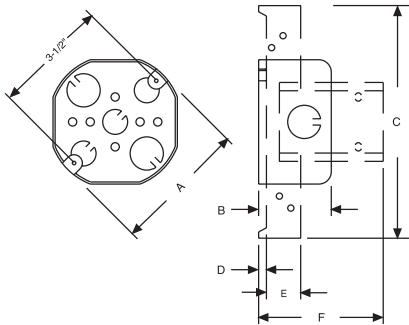
Product Features

- Fixture bar hanger allows box to be located anywhere along length of bar
- RACO® 325, 8325 box includes 3/8" trade sized stud to accommodate fixture stem

Compliance

-  – File E195978

4" OCTAGON BOXES



RACO STEEL BOXES & COVERS

ORDERING INFORMATION - DIMENSIONS

4" OCTAGON BOX WITH BAR HANGER – 1-1/2" DEEP – DRAWN WITH ARMORED CABLE/METAL CLAD/FLEX CLAMPS – 15.5 CUBIC INCHES								
CATALOG NUMBER	DESCRIPTION BRACKET & SETBACK	KNOCKOUTS			STD. PKG.	UPC BAR CODE	MAX. RECOMMENDED SUPPORT LOADS	
		SIDES		BOTTOM			CEILING FAN (DYNAMIC) LBS.	FIXTURE (STATIC) LBS.
		CABLE	COND.	COND.				
325	3/8" Stud, adj. 14-1/4" – 22-1/2"	4	2-1/2"	—	25	—	No	10*
8325	3/8" Stud, adj. 14-1/4" – 22-1/2"	4	2-1/2"	—	25		No	10*

*UL Rated at 50 lbs.

4" OCTAGON BOX – 2-1/8" DEEP – DRAWN WITH CONDUIT KO'S – 21.5 CUBIC INCHES								
CATALOG NUMBER	DESCRIPTION BRACKET & SETBACK	KNOCKOUTS			STD. PKG.	UPC BAR CODE	MAX. RECOMMENDED SUPPORT LOADS	
		SIDES	BOTTOM				CEILING FAN (DYNAMIC) LBS.	FIXTURE (STATIC) LBS.
		COND.	COND.	COND.				
165	—	4-1/2"	5-1/2"	50	—	—	No	50
166	—	4-3/4"	3-1/2"	50	—	—	No	50
167	—	2-1/2", 2-3/4"	2-3/4", 3-1/2"	50		—	No	50

4" OCTAGON BOX – 2-1/8" DEEP – DRAWN WITH NONMETALLIC SHEATHED CABLE CLAMPS – 21.5 CUBIC INCHES								
CATALOG NUMBER	DESCRIPTION BRACKET & SETBACK	KNOCKOUTS			STD. PKG.	UPC BAR CODE	MAX. RECOMMENDED SUPPORT LOADS	
		SIDES		BOTTOM			CEILING FAN (DYNAMIC) LBS.	FIXTURE (STATIC) LBS.
		COND.	CABLE	COND.				
299	—	4"	2-1/2"	1-1/2"	50	—	No	50

*Packaged in a stackable, individual chipboard box suitable for shelf display

DIMENSIONS						
CATALOG NUMBER	A	B	C	D	E	F
165	4"	2-1/8"	—	—	—	—
166	4"	2-1/8"	—	—	—	—
167	4"	2-1/8"	—	—	—	—
299	4"	2-1/8"	—	—	—	—



Application

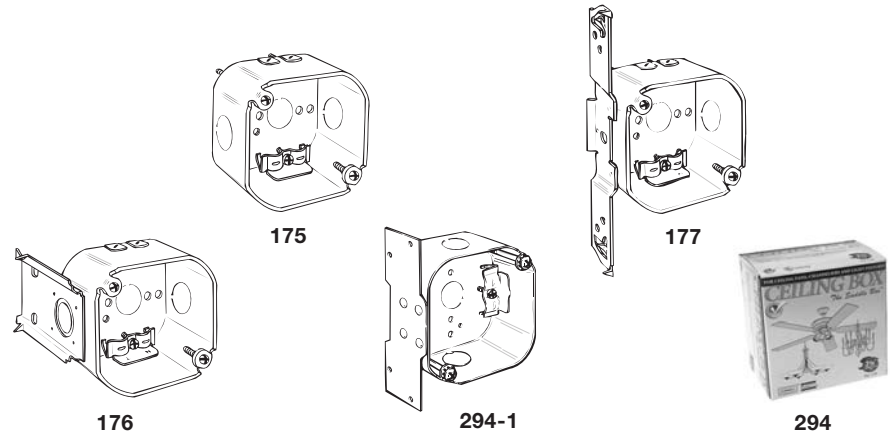
- Octagon boxes are used in the installation of ceiling or wall lighting fixtures

Product Features

- RACO® offers a variety of labor saving mounting brackets that allow for easy positioning of box along studs or joists
- See Box Selection section in the front of this catalog for complete description of bracket types and features
- Combination screw heads provide for faster installation
- RACO® 294, 294-1 ceiling fan boxes have lock-washers to prevent the high strength, hardened screws from loosening from vibration

Compliance

-  – File E195978



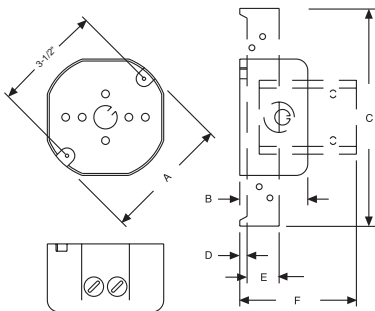
ORDERING INFORMATION - DIMENSIONS

4" OCTAGON BOX – 2-1/8" DEEP – DRAWN WITH NONMETALLIC SHEATHED CABLE CLAMPS – 21.5 CUBIC INCHES								
CATALOG NUMBER	DESCRIPTION BRACKET & SETBACK	KNOCKOUTS			STD. PKG.	UPC BAR CODE	MAX. RECOMMENDED SUPPORT LOADS	
		SIDES		BOTTOM COND.			CEILING FAN (DYNAMIC) LBS.	FIXTURE (STATIC) LBS.
		CABLE	COND.					
175	—	4	2-1/2"	1-1/2"	50		No	50
177	TS brkt., 1/2"	4	1-1/2"	1-1/2"	25	—	No	50
176	J brkt., 5/8"	4	2-1/2"	1-1/2"	25		No	50

4" OCTAGON CEILING FAN AND FIXTURE BOX – 2-1/8" DEEP – DRAWN WITH NONMETALLIC SHEATHED CABLE CLAMPS – 21.5 CUBIC INCHES								
CATALOG NUMBER	DESCRIPTION BRACKET & SETBACK	KNOCKOUTS			STD. PKG.	UPC BAR CODE	MAX. RECOMMENDED SUPPORT LOADS	
		SIDES		BOTTOM COND.			CEILING FAN (DYNAMIC) LBS.	FIXTURE (STATIC) LBS.
		CABLE	COND.					
294-1	FA brkt., 1/2"	2	2-1/2"	1-1/2"	10	—	35	75
294	FA brkt., 1/2"	2	2-1/2"	1-1/2"	10*		35	75

*Packaged in a stackable, chipboard box suitable for shelf display

4" OCTAGON BOXES



DIMENSIONS						
CATALOG NUMBER	A	B	C	D	E	F
175	4"	2-1/8"	—	—	—	—
177	4"	2-1/8"	7-5/32"	1/2"	1-1/4"	—
176	4"	2-1/8"	—	1/2"	—	3-1/8"
294, 294-1	4"	2-1/8"	5-1/2"	1/2"	2-1/4"	—

OCTAGON AND ROUND COVERS

Applications

- Covers are used to close an outlet box
- Switches or receptacles may be installed into octagon boxes by using covers 729 or 731
- Raised covers are used for mounting lighting fixtures
- 5" Round closure plates are designed for use in dry locations for closure at unused ceiling outlets

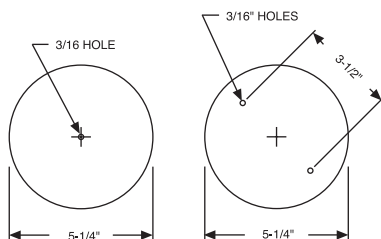
Product Features

- Rugged metallic construction
- 5" Round covers feature state-of-the-art powder coat paint finish which provides a light texture finish and scratch resistance

Compliances

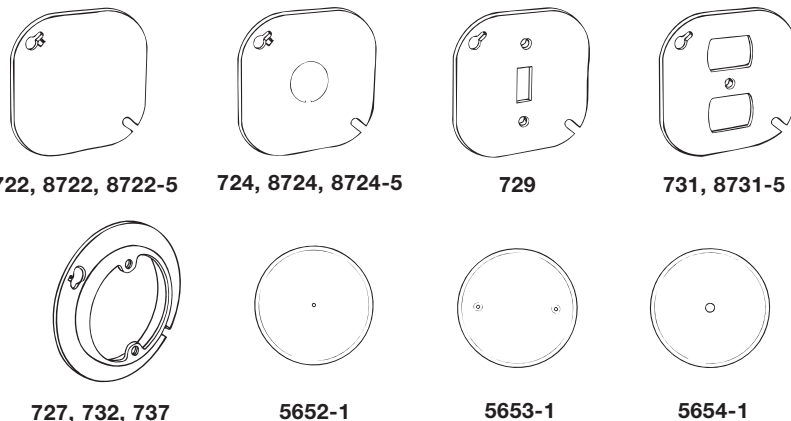
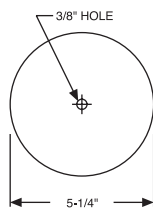
- – File E195978
- – File LR-1082 (722, 729, 731)

ROUND CLOSURE PLATES
CAT. NO. 5652-1



CAT. NO. 5653-1

CAT. NO. 5654-1



ORDERING INFORMATION - DIMENSIONS

4" OCTAGON AND ROUND COVERS						
CATALOG NUMBER	DESCRIPTION	CU. IN.	STD. PKG.	UPC BAR CODE	MAX. RECOMMENDED SUPPORT LOADS	
					CEILING FAN (DYNAMIC) LBS.	FIXTURE (STATIC) LBS.
722	Flat, blank	—	100	—	No	No
8722	Flat, blank	—	100		No	No
8722-5	Flat, blank	—	50*		No	No
724	Flat, 1/2" KO	—	100	—	No	No
8724	Flat, 1/2" KO	—	100		No	No
8724-5	Flat, 1/2" KO	—	50*		No	No
729	Flat, toggle switch	—	50		No	No
731	Flat, duplex receptacle	—	50		No	No
8731-5	Flat, duplex receptacle	—	50*		No	No
737	Raised 1/2", open, ears 2-3/4" O.C.	3.0	50		No	50
727	Raised 5/8", open, ears 2-3/4" O.C.	3.8	100	—	No	50
732	Raised 1", open, ears 2-3/4" O.C.	6.5	25	—	No	50

*5 Bundles of 10

5" ROUND STEEL CLOSURE PLATES					
CATALOG NUMBER	COLOR	DESCRIPTION	PKG. TYPE	STD. PKG.	UPC BAR CODE
5652-1	Off-white	Screw & universal mount strap	Shrink	10	
5653-1	Off-white	(2) 8-32 screws, direct mount to fixture outlet box	Shrink	10	
5654-1	Off-white	Fixture stud & universal mount strap	Shrink	10	

RACO STEEL BOXES & COVERS

Applications

- Boxes are installed in ceilings or walls for lighting fixtures, switches or receptacles
- Square boxes are used where multiple conductor runs are split into two or more directions to bring power to a number of electrical devices
- Drawn boxes are ideal for exposed work applications

Product Features

- Combination screw heads provide for faster installation
- Thru-the-wall box is designed for shallow wall applications and allows for attachment of wall plate to both faces of box
- TKO® knockouts offer greater flexibility with RACO® patented combination 1/2" and 3/4" knockout
- TKO® knockouts allow for design and installation flexibility

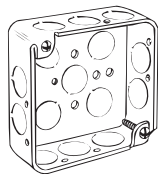
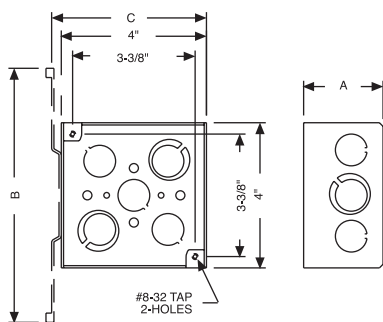
Compliances

- UL – File E195978

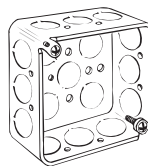
All RACO® single gang, two gang, 4" square, and single gang gangable U.L. listed steel boxes are acceptable for use in 2-hour fire rated walls. For additional information, consult U.L. "Fire Resistance Directory" or the U.L. website at www.ul.com

250V Per U.L. 514-A, suitable for use without a bonding jumper in circuits above or below 250 volts

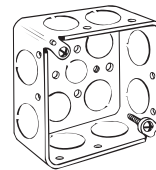
4" SQUARE BOXES



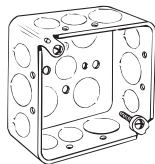
185



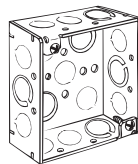
190, 8190



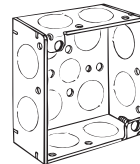
191, 8191



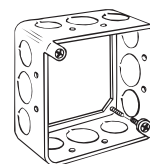
192, 8192



189, 8189



181



204

ORDERING INFORMATION - DIMENSIONS

4" SQUARE - 1-1/4" DEEP - DRAWN WITH CONDUIT KO'S - 18.0 CUBIC INCHES					
CATALOG NUMBER	DESCRIPTION BRACKET & SETBACK	KNOCKOUTS		STD. PKG.	UPC BAR CODE
		SIDES COND.	BOTTOM COND.		
185	—	10-1/2"	5-1/2"	50	■

4" SQUARE - 1-1/2" DEEP - DRAWN WITH CONDUIT KO'S - 21.0 CUBIC INCHES					
CATALOG NUMBER	DESCRIPTION BRACKET & SETBACK	KNOCKOUTS		STD. PKG.	UPC BAR CODE
		SIDES COND.	BOTTOM COND.		
190	—	12-1/2"	5-1/2"	50	—
8190	—	12-1/2"	5-1/2"	50	■
191	—	8-3/4"	1-1/2", 4-3/4"	50	—
8191	—	—	—	25	■
192	—	8-1/2", 4-3/4"	3-1/2", 2-3/4"	50	—
8192	—	—	—	50	■

4" SQUARE - 1-1/2" DEEP - WELDED WITH CONDUIT KO'S - 21.0 CUBIC INCHES					
CATALOG NUMBER	DESCRIPTION BRACKET & SETBACK	KNOCKOUTS		STD. PKG.	UPC BAR CODE
		SIDES COND.	BOTTOM COND.		
250V 189	—	8-1/2", 4-TKO®	3-1/2", 2-TKO®	50	—
250V 8189	—	—	—	50	■
181	—	8-3/4"	1-1/2", 4-3/4"	50	—

4" SQUARE - THRU-THE-WALL BOX - 1-1/2" DEEP - DRAWN WITH CONDUIT KO'S - 22.5 CUBIC INCHES						
CATALOG NUMBER	DESCRIPTION BRACKET & SETBACK	KNOCKOUTS		CU. IN.	STD. PKG.	UPC BAR CODE
		SIDES COND.	BOTTOM COND.			
204	—	8-1/2", 4-3/4"	—	21	50	—

DIMENSIONS			
CATALOG NUMBER	A	B	C
185	1-1/2"	—	—
190, 8190	1-1/2"	—	—
191, 8191	1-1/2"	—	—
192, 8192	1-1/2"	—	—
189, 8189	1-1/2"	—	—
181	1-1/2"	—	—
204	1-1/2"	—	—

4" SQUARE BOXES
1-1/2" DEEP

RACO STEEL BOXES
& COVERS

Applications


- Boxes are installed in ceilings or walls for lighting fixtures, switches or receptacles
- Square boxes are used where multiple conductor runs are split into two or more directions to bring power to a number of electrical devices

Product Features

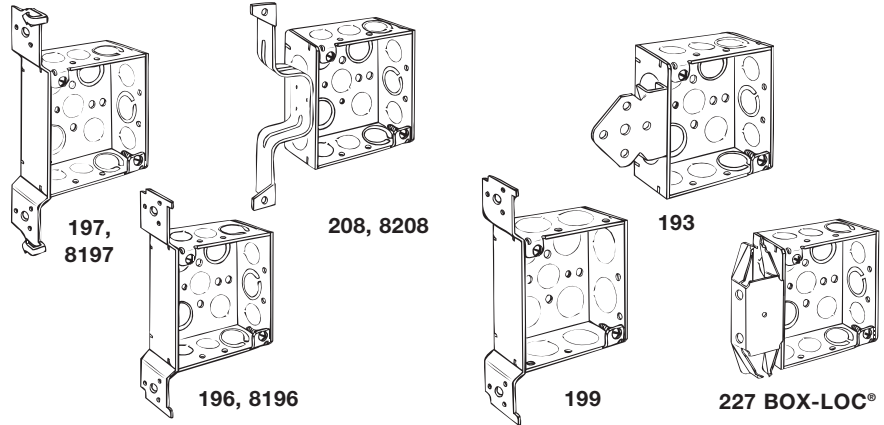
- RACO® offers a variety of labor saving mounting brackets that allow for easy positioning of box along studs or joists
- See Box Selection section in the front of this catalog for complete description of bracket types and features
- BOX-LOC® (MS) Bracket Box is a snap to install. Place the bracket on the open side of the stud first. Slots in the bracket engage the lip of the stud and actually crimp it as you press the bracket on the stud. Barbed hooks dig into the flat side of the stud, quickly locking it into place
- TKO® knockouts offer greater flexibility with RACO® patented combination 1/2" and 3/4" knockout
- TKO® knockouts allow for design and installation flexibility

Compliances

-  – File E195978

 All RACO® single gang, two gang, 4" square, and single gang gangable U.L. listed steel boxes are acceptable for use in 2-hour fire rated walls. For additional information, consult U.L. "Fire Resistance Directory" or the U.L. website at www.ul.com

250V Per U.L. 514-A, suitable for use without a bonding jumper in circuits above or below 250 volts

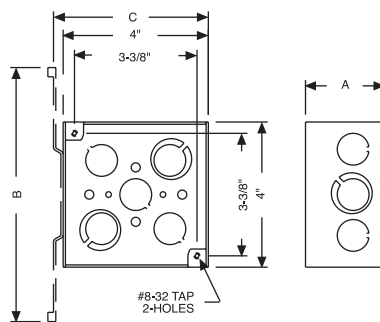


ORDERING INFORMATION - DIMENSIONS

4" SQUARE BRACKETED BOXES - 1-1/2" DEEP - WELDED WITH CONDUIT KO'S - 21.0 CUBIC INCHES					
CATALOG NUMBER	DESCRIPTION BRACKET & SETBACK	KNOCKOUTS		STD. PKG.	UPC BAR CODE
		SIDES COND.	BOTTOM COND.		
250V 197	FH, flush	6-1/2", 3 - TKO®	3-1/2", 2 - TKO®	25	—
250V 8197	FH, flush	6-1/2", 3 - TKO®	3-1/2", 2 - TKO®	25	
250V 208	W, flush	6-1/2", 3 - TKO®	3-1/2", 2 - TKO®	25	—
250V 8208	W, flush	6-1/2", 3 - TKO®	3-1/2", 2 - TKO®	25	
250V 193	B, flush	6-1/2", 4 - TKO®	3-1/2", 2 - TKO®	25	—
250V 196	FM, flush	6-1/2", 3 - TKO®	3-1/2", 2 - TKO®	25	—
250V 8196	FM, flush	6-1/2", 3 - TKO®	3-1/2", 2 - TKO®	25	
250V 199	FM, flush	6-3/4"	1-1/2", 4-3/4"	25	—
250V 227	BOX-LOC® (MS) flush	6-1/2", 3 - TKO®	3-1/2", 2 - TKO®	25	

DIMENSIONS			
CATALOG NUMBER	A	B	C
197, 8197	1-1/2"	7-3/8"	4-3/8"
208, 8208	1-1/2"	6-13/16"	5-15/16"
193	1-1/2"	2"	6"
196, 8196	1-1/2"	6-7/8"	4-3/8"
199	1-1/2"	6-7/8"	4-3/8"
227	1-1/2"	4-5/8"	5-1/2"

4" SQUARE BOXES



Applications


- Boxes are installed in ceilings or walls for lighting fixtures, switches or receptacles
- Square boxes are used where multiple conductor runs are split into two or more directions to bring power to a number of electrical devices

Product Features

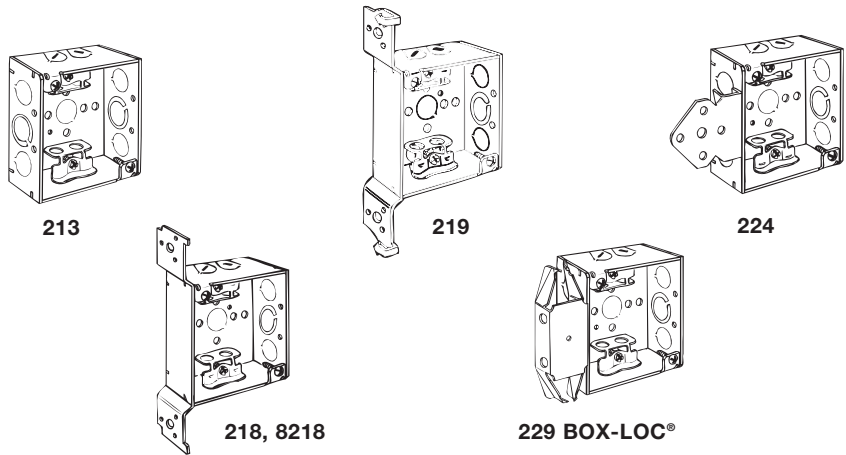
- RACO® offers a variety of labor saving mounting brackets that allow for easy positioning of box along studs or joists
- See Box Selection section in the front of this catalog for complete description of bracket types and features
- BOX-LOC® (MS) Bracket Box is a snap to install. Place the bracket on the open side of the stud first. Slots in the bracket engage the lip of the stud and actually crimp it as you press the bracket on the stud. Barbed hooks dig into the flat side of the stud, quickly locking it in place
- Combination screw heads provide for faster installation
- TKO® knockouts offer greater flexibility with RACO® patented combination 1/2" and 3/4" knockout
- TKO® knockouts allow for design and installation flexibility

Compliances

-  – File E195978

 All RACO® single gang, two gang, 4" square, and single gang gangable U.L. listed steel boxes are acceptable for use in 2-hour fire rated walls. For additional information, consult U.L. "Fire Resistance Directory" or the U.L. website at www.ul.com

250V Per U.L. 514-A, suitable for use without a bonding jumper in circuits above or below 250 volts

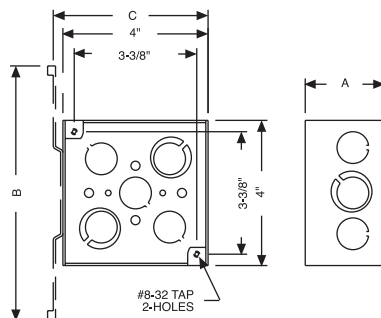


ORDERING INFORMATION - DIMENSIONS

4" SQUARE - 1-1/2" DEEP - WELDED WITH ARMORED CABLE/METAL CLAD/FLEX CLAMPS - 21.0 CUBIC INCHES						
CATALOG NUMBER	DESCRIPTION BRACKET & SETBACK	KNOCKOUTS			STD. PKG.	UPC BAR CODE
		SIDES		BOTTOM		
		CABLE	COND.	COND.		
250V 213	—	4	4-1/2", 2 - TKO®	1-1/2"	50	—
250V 219	FH, flush	4	2-1/2", 1 - TKO®	1-1/2"	25	—
250V 224	B, flush	4	2-1/2", 1 - TKO®	1-1/2"	25	—
250V 218	FM, flush	4	2-1/2", 1 - TKO®	1-1/2"	25	—
250V 8218	FM, flush	4	2-1/2", 1 - TKO®	1-1/2"	25	
250V 229	BOX-LOC® (MS) flush	4	2-1/2", 1 - TKO®	1-1/2"	25	

DIMENSIONS			
CATALOG NUMBER	A	B	C
213	1-1/2"	—	—
218	1-1/2"	6-7/8"	4-3/8"
219	1-1/2"	7-3/8"	4-3/8"
224	1-1/2"	2"	6"
229	1-1/2"	4-5/8"	5-1/2"

4" SQUARE BOXES



**4" SQUARE BOXES
1-1/2" DEEP**



Applications

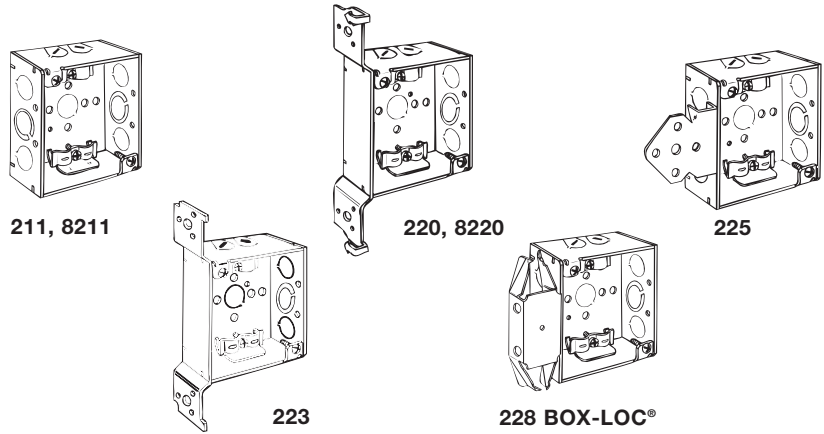
- Boxes are installed in ceilings or walls for lighting fixtures, switches or receptacles
- Square boxes are used where multiple conductor runs are split into two or more directions to bring power to a number of electrical devices

Product Features

- RACO® offers a variety of labor saving mounting brackets that allow for easy positioning of box along studs or joists
- See Box Selection section in the front of this catalog for complete description of bracket types and features
- BOX-LOC® (MS) Bracket Box is a snap to install. Place the bracket on the open side of the stud first. Slots in the bracket engage the lip of the stud and actually crimp it as you press the bracket on the stud. Barbed hooks dig into the flat side of the stud, quickly locking it in place
- Combination screw heads provide for faster installation
- TKO® knockouts offer greater flexibility with RACO® patented combination 1/2" and 3/4" knockout
- TKO® knockouts allow for design and installation flexibility

Compliances

-  – File E195978
 -  All RACO® single gang, two gang, 4" square, and single gang gangable U.L. listed steel boxes are acceptable for use in 2-hour fire rated walls. For additional information, consult U.L. "Fire Resistance Directory" or the U.L. website at www.ul.com
- 250V** Per U.L. 514-A, suitable for use without a bonding jumper in circuits above or below 250 volts

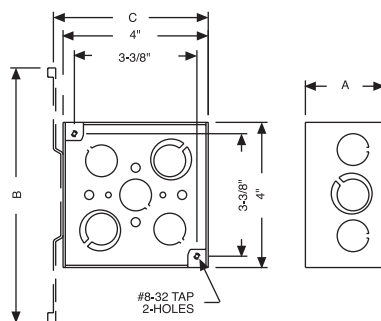


ORDERING INFORMATION - DIMENSIONS

4" SQUARE - 1-1/2" DEEP - WELDED WITH NONMETALLIC SHEATHED CABLE CLAMPS - 21.0 CUBIC INCHES						
CATALOG NUMBER	DESCRIPTION BRACKET & SETBACK	KNOCKOUTS			STD. PKG.	UPC BAR CODE
		SIDES		BOTTOM		
		CABLE	COND.	COND.		
250V 211	—	4	4-1/2", 2 - TKO®	1-1/2"	50	—
250V 8211	—	4	4-1/2", 2 - TKO®	1-1/2"	50	
250V 220	FH, flush	4	2-1/2", 1 - TKO®	1-1/2"	25	—
250V 8220	FH, flush	4	2-1/2", 1 - TKO®	1-1/2"	25	
250V 225	B, flush	4	2-1/2", 1 - TKO®	1-1/2"	25	—
250V 223	FM, flush	4	2-1/2", 1 - TKO®	1-1/2"	25	
250V 228	BOX-LOC® (MS) flush	4	2-1/2", 1 - TKO®	1-1/2"	25	

DIMENSIONS			
CATALOG NUMBER	A	B	C
211, 8211	1-1/2"	—	—
220, 8220	1-1/2"	7-3/8"	4-3/8"
225	1-1/2"	2"	6"
223	1-1/2"	6-7/8"	4-3/8"
228	1-1/2"	4-5/8"	5-1/2"

4" SQUARE BOXES



Applications


- Boxes are installed in ceilings or walls for lighting fixtures, switches or receptacles
- Square boxes are used where multiple conductor runs are split into two or more directions to bring power to a number of electrical devices

Product Features

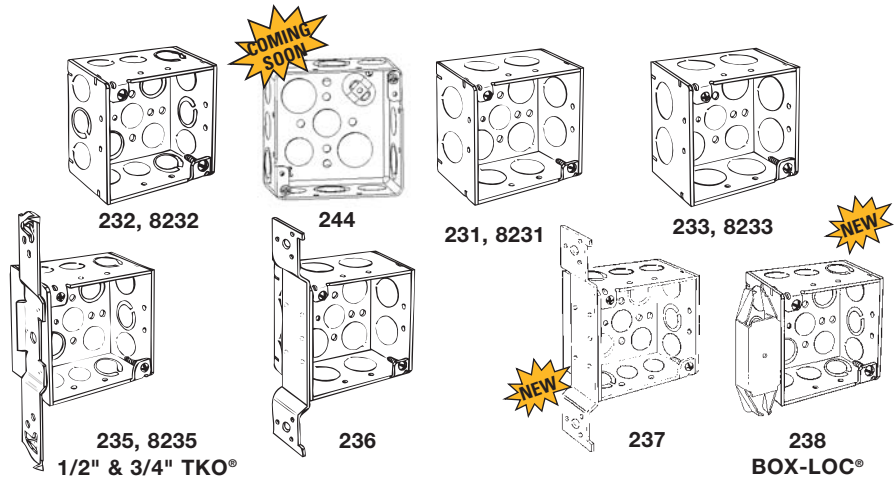
- RACO® offers a variety of labor saving mounting brackets that allow for easy positioning of box along studs or joists
- See Box Selection section in the front of this catalog for complete description of bracket types and features
- BOX-LOC® (MS) Bracket Box is a snap to install. Place the bracket on the open side of the stud first. Slots in the bracket engage the lip of the stud and actually crimp it as you press the bracket on the stud. Barbed hooks dig into the flat side of the stud, quickly locking it in place
- Combination screw heads provide for faster installation
- TKO® knockouts offer greater flexibility with RACO® patented combination 1/2" and 3/4" knockout
- TKO® knockouts allow for design and installation flexibility

Compliances

-  – File E195978

 All RACO® single gang, two gang, 4" square, and single gang gangable U.L. listed steel boxes are acceptable for use in 2-hour fire rated walls. For additional information, consult U.L. "Fire Resistance Directory" or the U.L. website at www.ul.com

250V Per U.L. 514-A, suitable for use without a bonding jumper in circuits above or below 250 volts



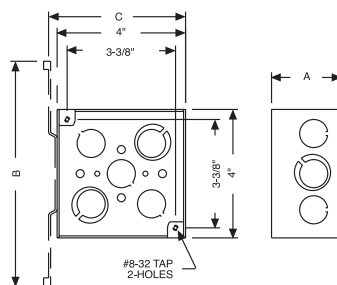
ORDERING INFORMATION - DIMENSIONS

4" SQUARE - 2-1/8" DEEP - WELDED WITH CONDUIT KO'S - 30.3 CUBIC INCHES					
CATALOG NUMBER	DESCRIPTION BRACKET & SETBACK	KNOCKOUTS		STD. PKG.	UPC BAR CODE
		SIDES COND.	BOTTOM COND.		
250V 232	—	8-1/2", 4-TKO®	3-1/2", 2-TKO®	25	—
250V 8232	—	8-1/2", 4-TKO®	3-1/2", 2-TKO®	25	
231	—	8-3/4"	1-1/2", 4-3/4"	25	—
8231	—	8-3/4"	1-1/2", 4-3/4"	25	
233	—	8-1"	3-1/2", 2-3/4"	25	—
8233	—	8-1"	3-1/2", 2-3/4"	25	
250V 235	TS, flush	6-1/2", 3-TKO®	3-1/2", 2-TKO®	25	—
250V 8235	TS, flush	6-1/2", 3-TKO®	3-1/2", 2-TKO®	25	
236	FM, flush	6-3/4"	1-1/2", 4-3/4"	25	
250V 237	FM, flush	8-1/2", 4-TKO®	3-1/2", 2-TKO®	25	
250V 238	BOX-LOC® (MS) flush	8-1/2", 4-TKO®	3-1/2", 2-TKO®	25	

4" SQUARE - 2-1/8" DEEP - DRAWN WITH CONDUIT KO'S - 30.3 CUBIC INCHES					
CATALOG NUMBER	DESCRIPTION BRACKET & SETBACK	KNOCKOUTS		STD. PKG.	UPC BAR CODE
		SIDES COND.	BOTTOM COND.		
250V 244	—	8-1/2", 4-TKO	2-1/2", 2-3/4"	25	

DIMENSIONS			
CATALOG NUMBER	A	B	C
232, 8232	2-1/8"	—	—
231, 8231	2-1/8"	—	—
233, 8233	2-1/8"	—	—
235, 8235	2-1/8"	7-5/32"	4-5/16"
236	2-1/8"	7-5/8"	4-3/8"
238	2-1/8"	4-5/8"	5-1/2"
244	2-1/8"	—	—

4" SQUARE BOXES



4" SQUARE BOXES
1-1/2" AND 2-1/8" DEEP, PLENUM BOXES

Applications

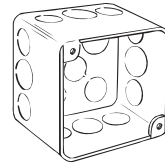
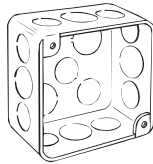
- Plenum boxes are used in above-ceiling applications where air-tight enclosures are required
- Square boxes are used where multiple conductor runs are split into two or more directions to bring power to a number of electrical devices

Product Features

- To maintain plenum seal, both RACO® 226 and 239 do not provide ground screw holes
- Cover gasket is PVC foam material

Compliance

-  – File E195978



226

239

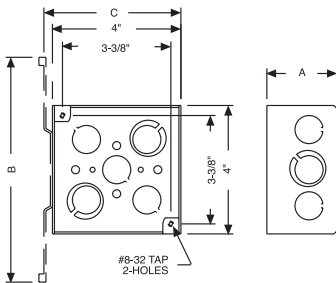
762

ORDERING INFORMATION - DIMENSIONS

4" SQUARE PLENUM – BOXES & COVER – 1-1/2" & 2-1/8" DEEP – DRAWN WITH CONDUIT KO'S						
CATALOG NUMBER	DESCRIPTION BRACKET & SETBACK	KNOCKOUTS		CU. IN.	STD. PKG.	UPC BAR CODE
		SIDES	BOTTOM			
226	1-1/2" Deep	8-1/2" 4-3/4"	3-1/2" 2-3/4"	21.0	50	—
239	2-1/8" Deep	8-1/2" 4-3/4"	3-1/2" 2-3/4"	30.3	25	—
762	Gasketed cover for 4" square boxes	—	—	—	50	—

DIMENSIONS			
CATALOG NUMBER	A	B	C
226	1-1/2"	—	—
239	2-1/8"	—	—

4" SQUARE BOXES



Applications


- Boxes are installed in ceilings or walls for lighting fixtures, switches or receptacles
- Square boxes are used where multiple conductor runs are split into two or more directions to bring power to a number of electrical devices

Product Features

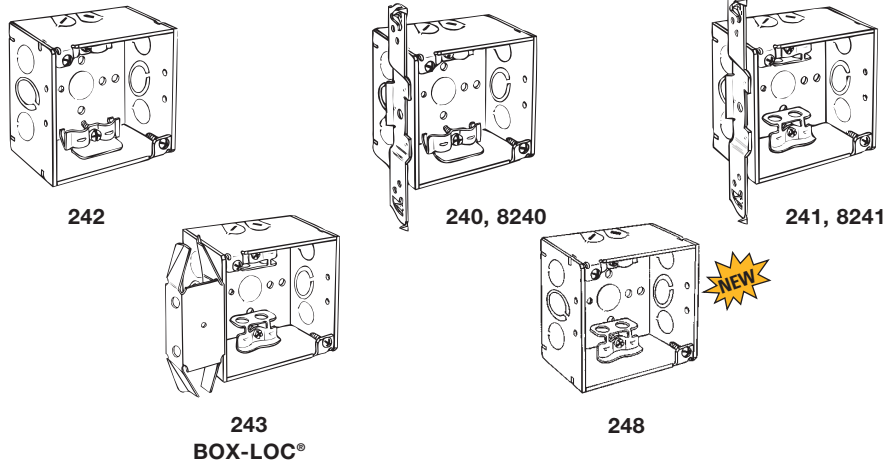
- RACO® offers a variety of labor saving mounting brackets that allow for easy positioning of box along studs or joists
- See Box Selection section in the front of this catalog for complete description of bracket types and features
- BOX-LOC® (MS) Bracket Box is a snap to install. Place the bracket on the open side of the stud first. Slots in the bracket engage the lip of the stud and actually crimp it as you press the bracket on the stud. Barbed hooks dig into the flat side of the stud, quickly locking it in place
- Combination screw heads provide for faster installation
- TKO® knockouts offer greater flexibility with RACO® patented combination 1/2" and 3/4" knockout
- TKO® knockouts allow for design and installation flexibility

Compliances

-  – File E195978

 All RACO® single gang, two gang, 4" square, and single gang gangable U.L. listed steel boxes are acceptable for use in 2-hour fire rated walls. For additional information, consult U.L. "Fire Resistance Directory" or the U.L. website at www.ul.com

250V Per U.L. 514-A, suitable for use without a bonding jumper in circuits above or below 250 volts



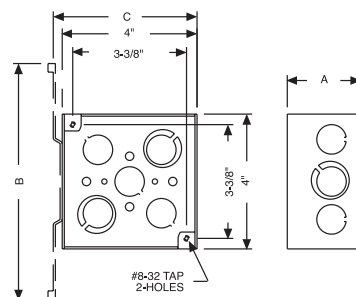
ORDERING INFORMATION - DIMENSIONS

4" SQUARE - 2-1/8" DEEP WITH NONMETALLIC SHEATHED CABLE CLAMPS - 30.3 CUBIC INCHES						
CATALOG NUMBER	DESCRIPTION BRACKET & SETBACK	KNOCKOUTS			STD. PKG.	UPC BAR CODE
		SIDES		BOTTOM		
		CABLE	COND.	COND.		
250V 242	—	4	4-1/2", 2 - TKO®	1-1/2"	25	—
250V 240	TS, flush	4	2-1/2", 1 - TKO®	1-1/2"	25	—
250V 8240	TS, flush	4	2-1/2", 1 - TKO®	1-1/2"	25	

4" SQUARE - 2-1/8" DEEP WITH ARMORED CABLE/METAL CLAD/FLEX CLAMPS - 30.3 CUBIC INCHES						
CATALOG NUMBER	DESCRIPTION BRACKET & SETBACK	KNOCKOUTS			STD. PKG.	UPC BAR CODE
		SIDES		BOTTOM		
		CABLE	COND.	COND.		
250V 241	TS, flush	4	2-1/2", 1 - TKO®	1-1/2"	25	—
250V 8241	TS, flush	4	2-1/2", 1 - TKO®	1-1/2"	25	
250V 243	BOX-LOC® (MS) flush	4	2-1/2", 1 - TKO®	1-1/2"	25	
250V 248	—	4	4-1/2", 2 - TKO®	1-1/2"	25	

DIMENSIONS			
CATALOG NUMBER	A	B	C
242	2-1/8"	—	—
240, 8240	2-1/8"	7-7/32"	4-5/16"
241, 8241	2-1/8"	7-5/32"	4-5/16"
243	2-1/8"	4-5/8"	5-1/2"
248	2-1/8"	—	—

4" SQUARE BOXES



4" SQUARE COVERS



Applications

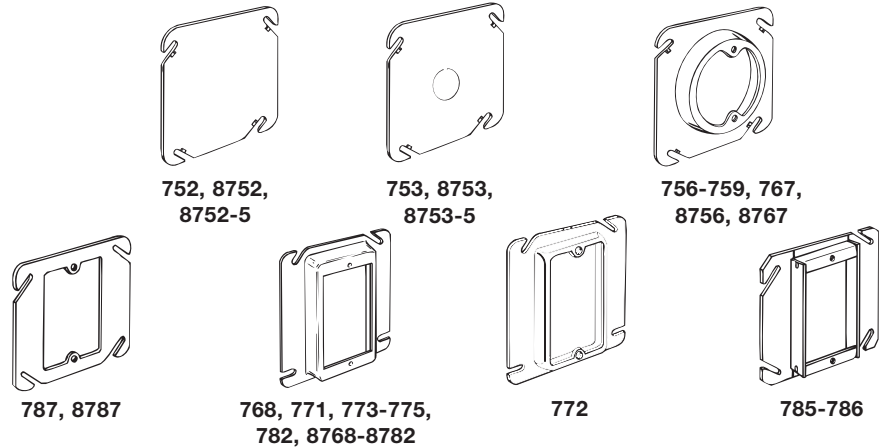
- Covers are used to close an outlet box
- Raised device covers are used for mounting switches or receptacles

Product Feature

- Angled mounting slots compensate up to 12° for box misalignment

Compliances

-  – File E195978
-  – File LR-1082



RACO STEEL BOXES & COVERS

ORDERING INFORMATION - DIMENSIONS

4" SQUARE COVERS						
CATALOG NUMBER	DESCRIPTION	CU. IN.	STD. PKG.	UPC BAR CODE	MAX. RECOMMENDED SUPPORT LOADS	
					CEILING FAN (DYNAMIC) LBS.	FIXTURE (STATIC) LBS.
752	Flat, blank	—	50	—	No	No
8752	Flat, blank	—	50		No	No
8752-5	Flat, blank	—	50*		No	No
753	Flat, 1/2" KO in center	—	50	—	No	No
8753	Flat, 1/2" KO in center	—	50		No	No
8753-5	Flat, 1/2" KO in center	—	50*		No	No
767	Raised 1/2", open, ears 2-3/4" O.C.	3.0	25	—	No	50
8767	Raised 1/2", open, ears 2-3/4" O.C.	3.0	25		No	50
756	Raised 5/8", open, ears 2-3/4" O.C.	4.0	100	—	No	50
8756	Raised 5/8", open, ears 2-3/4" O.C.	4.0	100		No	50
759	Raised 3/4", open, ears 2-3/4" O.C.	5.0	25		No	50
757	Raised 1", open, ears 2-3/4" O.C.	6.8	25		No	50
758	Raised 1-1/4", open, ears 2-3/4" O.C.	8.5	25	—	No	50

*5 Bundles of 10

4" SQUARE COMBINATION - DEVICE AND TILE COVERS - SINGLE DEVICE				
CATALOG NUMBER	DESCRIPTION	CU. IN.	STD. PKG.	UPC BAR CODE
787	Flat	—	50	—
8787	Flat	—	50	
771	Raised 1/4"	1.5	100	—
8771	Raised 1/4"	1.5	25	
772	Raised 1/2", drawn	3.5	100	—
8772	Raised 1/2", drawn	3.5	50	
782	Raised 1/2", tile	3.5	25	—
8782	Raised 1/2", tile	3.5	25	
768	Raised 5/8"	4.5	50	—
8768	Raised 5/8"	4.5	50	
773	Raised 3/4"	5.5	50	—
8773	Raised 3/4"	5.5	50	
774	Raised 1"	7.5	25	
775	Raised 1-1/4"	9.5	25	—
8775	Raised 1-1/4"	9.5	25	
785	Raised 1-1/2"	11.3	25	—
786	Raised 2"	14.5	25	—



Applications

- Covers are used to close an outlet box
- Raised device covers are used for mounting switches or receptacles

Product Feature

- Angled mounting slots compensate up to 12° for box misalignment

Low Voltage Partitions



Applications

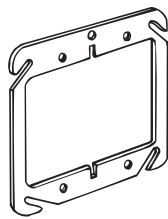
- Low voltage partitions may be added to conduit-type boxes to divide power from voice/data
- Must be used with raised covers

Product Features

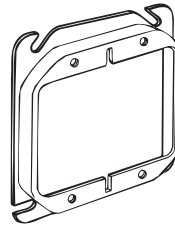
- Partition divides 4" square boxes into two compartments
- Use with two-device covers which have a slot for the partition
- Partition is scored, so it can be broken at the proper depth of box and cover combination
- Helpful hint: Assemble the box with the partition in place before breaking off at the scored tab. This will prevent you from breaking off more tab than needed

Compliances

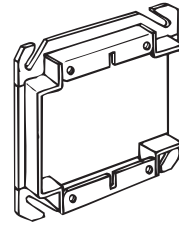
-  – File E195978
-  – File LR-1082



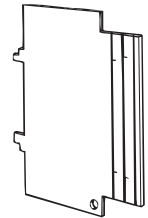
791



777-781, 769,
8769-8781



795, 796



708

ORDERING INFORMATION - DIMENSIONS

4" SQUARE COMBINATION DEVICE AND TILE COVERS TWO DEVICE				
CATALOG NUMBER	DESCRIPTION	CU. IN.	STD. PKG.	UPC BAR CODE
791	Flat	—	50	
777	Raised 1/4", drawn	3.0	50	—
778	Raised 1/2", drawn	5.5	50	—
8778	Raised 1/2", drawn	5.5	50	
769	Raised 5/8", drawn	7.3	50	—
8769	Raised 5/8", drawn	7.3	50	
779	Raised 3/4", drawn	8.8	50	—
8779	Raised 3/4", drawn	8.8	50	
780	Raised 1", drawn	12.0	25	
781	Raised 1-1/4", drawn	15.0	25	—
8781	Raised 1-1/4", drawn	15.0	25	
795	Raised 1-1/2", welded	15.5	25	—
796	Raised 2", welded	20.5	25	—

4" SQUARE BOX LOW VOLTAGE PARTITIONS – FOR 1-1/2" & 2-1/8" DEEP			
CATALOG NUMBER	DESCRIPTION	STD. PKG.	UPC BAR CODE
For 1-1/2" Deep Box and 2-Device Raised Cover*:			
706	1/4", 1/2", 3/4" or 1" (777, 778, 8778, 779, 8779, 780)	25	—
708	1-1/4", 1-1/2", or 2" (781, 8781, 795, 796)	25	—
For 2-1/8" Deep Box and 2-Device Raised Cover*:			
707	1/4", 1/2", 3/4" or 1" (777, 778, 8778, 779, 8779, 780)	25	—
709	1-1/4", 1-1/2", or 2" (781, 8781, 795, 796)	25	—

* Boxes, covers, and partitions must be ordered separately
 * For 1-1/2" deep box with 5/8" cover, partition not available
 * For 2-1/8" deep box with 5/8" cover, use #708 partition

4" SQUARE COVERS



Application

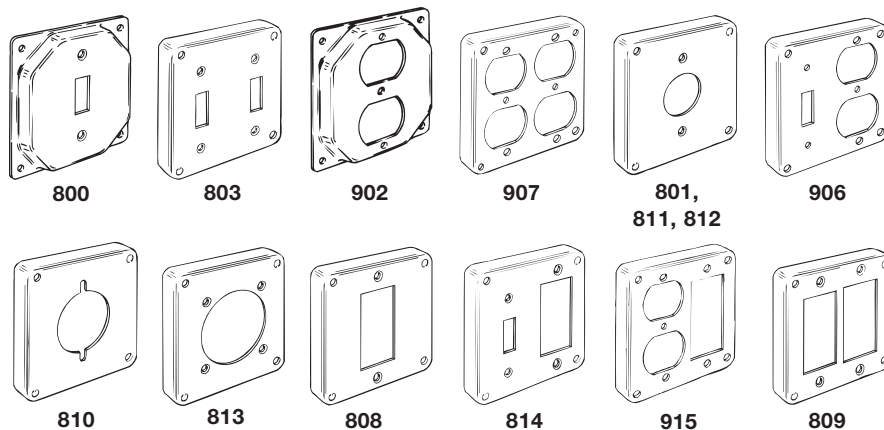
- Exposed work covers are used to support switches or receptacles independent of the box (box must still be used)

Product Features

- For easy mounting, RACO® 900 series covers include additional hardware for mounting the receptacle(s)
- RACO® 900 series covers meet NEC Article 410-56(l) for mounting the device with more than one screw
- Hardware and cover are packed in a poly-bag with printed catalog number, compliances and installation instructions
- Helpful Hint: Remove a portion of the GFCI receptacle ear to mount device to 4" square cover

Compliances

-  – File E195978
-  – File LR-1082



RACO STEEL BOXES & COVERS

ORDERING INFORMATION - DIMENSIONS

4" SQUARE SURFACE COVERS – RAISED 1/2"				
CATALOG NUMBER	DESCRIPTION	CU. IN.	STD. PKG.	UPC BAR CODE
800	1 Toggle switch, crushed corners	5.8	25	
803	2 Toggle switches	7.3	10	
902	1 Duplex receptacle, crushed corners	5.8	25	
907	2 Duplex receptacles	7.3	25	
801	1 Receptacle 1.406" dia.	7.3	10	
811	30A locking 1.719" dia.	7.3	10	
812	20A Receptacle 1.594" dia.	7.3	10	
906	1 Dup. & 1 toggle switch	7.3	10	
810	30-50A Receptacle 2.141" dia.	7.3	10	
813	30-60A Receptacle 2.625" dia.	7.3	10	
808	1 GFCI	7.3	10	
814	1 GFCI & 1 toggle switch	7.3	10	
915	1 GFCI & 1 duplex receptacle	7.3	10	
809	2 GFCI	7.3	10	

Application

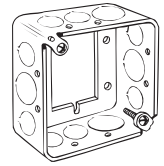
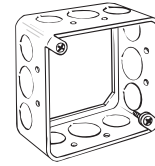
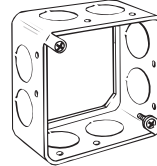
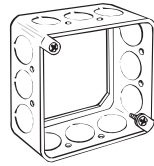
- Extension rings provide a means for adding additional cubic capacity or as an outlet box for surface conduit

Product Feature

- Combination screw heads provide for faster installation

Compliance

-  – File E195978



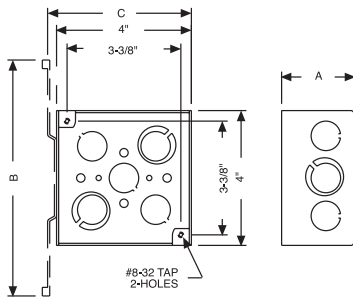
201, 8201

202

203, 8203

187

4" SQUARE EXTENSION RINGS



ORDERING INFORMATION - DIMENSIONS

4" SQUARE EXTENSION RINGS - 1-1/2" DEEP - DRAWN WITH CONDUIT KO'S - 22.5 CUBIC INCHES

CATALOG NUMBER	DESCRIPTION BRACKET & SETBACK	KNOCKOUTS		STD. PKG.	UPC BAR CODE
		SIDES COND.	BOTTOM COND.		
201	—	12-1/2"	—	50	—
8201	—	12-1/2"	—	25	
202	—	8-3/4"	—	50	—
203	—	8-1/2", 4-3/4"	—	50	—
8203	—	8-1/2", 4-3/4"	—	50	
187	Attaches to switch boxes	8-1/2", 4-3/4"	—	50	

DIMENSIONS

CATALOG NUMBER	A	B	C
201, 8201	1-1/2"	—	—
202	1-1/2"	—	—
203, 8203	1-1/2"	—	—
187	1-1/2"	—	—



4-11/16" SQUARE BOXES
1-1/2" AND 2-1/8" DEEP

RACO STEEL BOXES
 & COVERS

Applications

- Boxes are used for a wide variety of industrial applications where larger- sized conductors or wiring devices are needed and more volume is required
- Drawn boxes are ideal for exposed work applications (surface mounted wiring)

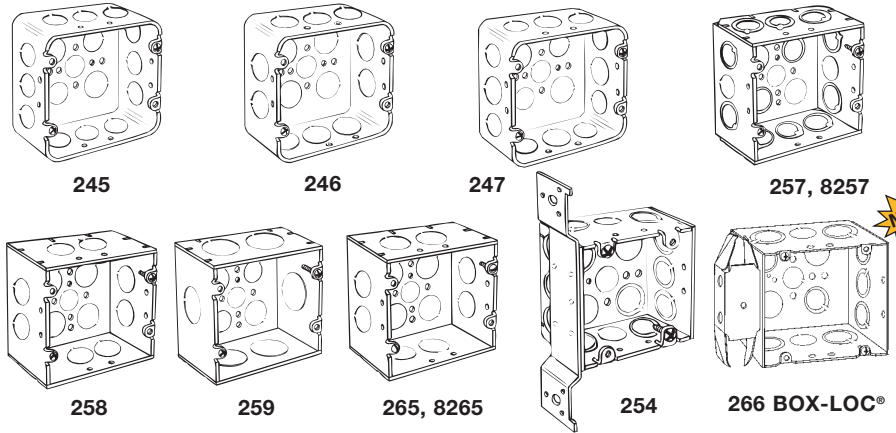
Product Features

- RACO® offers a variety of labor saving mounting brackets that allow for easy positioning of box along studs or joists
- See Box Selection section in the front of this catalog for complete description of bracket types and features
- Combination screw heads provide for faster installation
- TKO® knockouts offer greater flexibility with RACO® patented combination 1/2" and 3/4" knockout
- TKO® knockouts allow for design and installation flexibility

Compliance

-  – File E195978

250V Per U.L. 514-A, suitable for use without a bonding jumper in circuits above or below 250 volts

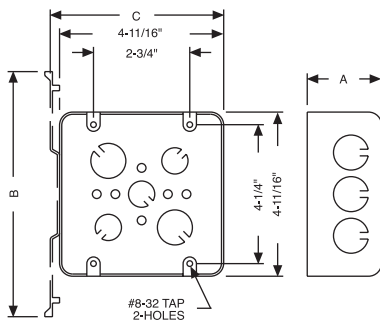


ORDERING INFORMATION - DIMENSIONS

4-11/16" SQUARE BOXES - 1-1/2" DEEP - DRAWN WITH CONDUIT KO'S - 29.5 CUBIC INCHES					
CATALOG NUMBER	DESCRIPTION BRACKET & SETBACK	KNOCKOUTS		STD. PKG.	UPC BAR CODE
		SIDES COND.	BOTTOM COND.		
245	—	12-1/2"	3-1/2", 2-3/4"	25	—
246	—	10-3/4"	3-1/2", 2-3/4"	25	—
247	—	8-1/2", 4-3/4"	3-1/2", 2-3/4"	25	—

4-11/16" SQUARE BOXES - 2-1/8" DEEP - WELDED WITH CONDUIT KO'S - 42.0 CUBIC INCHES					
CATALOG NUMBER	DESCRIPTION BRACKET & SETBACK	KNOCKOUTS		STD. PKG.	UPC BAR CODE
		SIDES COND.	BOTTOM COND.		
250V 257	—	2-1/2", 10-TKO®	1-1/2", 2-3/4", 2-TKO	25	—
250V 8257	—	2-1/2", 10-TKO®	1-1/2", 2-3/4", 2-TKO®	25	
258	—	8-1"	3-1/2", 2-3/4"	25	—
259	—	6-11/4"	3-1/2", 2-3/4"	25	—
265	—	4-3/4", 4-1"	3-1/2", 2-3/4"	25	—
8265	—	4-3/4", 4-1"	3-1/2", 2-3/4"	25	
250V 254	FM brkt.	2-1/2", 7-TKO®	1-1/2", 2-3/4", 2-TKO®	25	
250V 266	BOX-LOC® MS flush	2-1/8", 10-TKO®	1-1/2", 2-3/4", 2-TKO®	25	

4-11/16" SQUARE BOXES



DIMENSIONS			
CATALOG NUMBER	A	B	C
245	1-1/2"	—	—
246	1-1/2"	—	—
247	1-1/2"	—	—
257, 8257	2-1/8"	—	—
258	2-1/8"	—	—
259	2-1/8"	—	—
265, 8265	2-1/8"	—	—
254	2-1/8"	7-5/8"	5-1/16"
266	2-1/8"	—	—



Applications

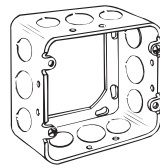
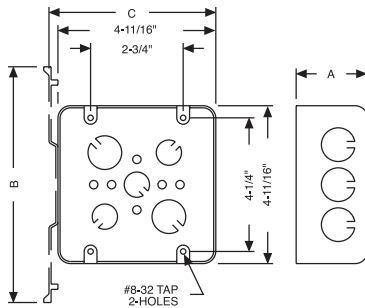
- Extension rings provide a means for adding additional cubic capacity or as an outlet box for surface conduit
- Covers are used to close an outlet box
- Raised device covers are used for mounting switches or receptacles

Product Feature

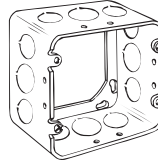
- Angled mounting slots compensate up to 12° for box misalignment

Compliances

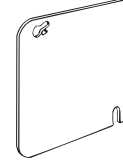
- – File E195978
- – File LR-1082



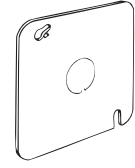
250



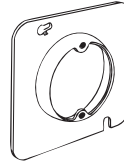
262



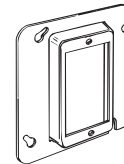
832, 8832



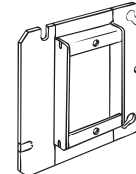
833, 8833-5



829, 835



837-839, 842-843



898-899

ORDERING INFORMATION - DIMENSIONS

4-11/16" SQUARE EXTENSION - 1-1/2" DEEP - DRAWN WITH CONDUIT KO'S - 29.5 CUBIC INCHES					
CATALOG NUMBER	DESCRIPTION BRACKET & SETBACK	KNOCKOUTS		STD PKG.	UPC BAR CODE
		SIDES COND.	BOTTOM COND.		
250	—	8-1/2", 4-3/4"	—	25	—

4-11/16" SQUARE EXTENSION - 2-1/8" DEEP - DRAWN WITH CONDUIT KO'S - 43.0 CUBIC INCHES					
CATALOG NUMBER	DESCRIPTION BRACKET & SETBACK	KNOCKOUTS		STD PKG.	UPC BAR CODE
		SIDES COND.	BOTTOM COND.		
262	—	8-1/2", 4-3/4"	—	25	

4-11/16" SQUARE COVERS						
CATALOG NUMBER	DESCRIPTION	CU. IN.	STD. PKG.	UPC BAR CODE	MAX. RECOMMENDED SUPPORT LOADS	
					CEILING FAN (DYNAMIC) LBS.	FIXTURE (STATIC) LBS.
832	Flat, blank	—	50	—	No	No
8832	Flat, blank	—	50		No	No
833	Flat, 1/2" KO centered	—	50		No	No
829	Raised 1/2", open, ears 2-3/4" O.C.	3.0	25	—	No	50
835	Raised 5/8", open, ears 2-3/4" O.C.	4.0	25	—	No	50
8833-5	Flat, 1/2" KO centered	—	50*		No	No

*5 Bundles of 10

4-11/16" SQUARE COMBINATION DEVICE AND TILE COVERS - SINGLE DEVICE				
CATALOG NUMBER	DESCRIPTION	CU. IN.	STD. PKG.	UPC BAR CODE
837	Raised 1/2"	3.5	25	—
843	Raised 5/8"	4.5	25	—
838	Raised 3/4"	5.5	25	—
839	Raised 1"	7.5	25	—
842	Raised 1-1/4"	9.5	25	—
898	Raised 1-1/2"	11.0	20	—
899	Raised 2"	16.0	20	—

DIMENSIONS			
CATALOG NUMBER	A	B	C
250	1-1/2"	—	—
262	2-1/8"	—	—

4-11/16" SQUARE COVERS



Applications

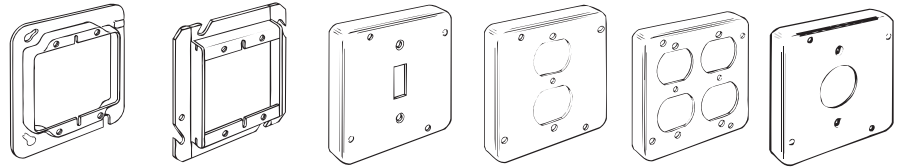
- Raised device covers are for mounting switches or receptacles
- Exposed work covers are used to support switches or receptacles independent of the box

Product Features

- RACO® 900 series covers meet NEC Article 410-56(f) for mounting the device by more than one screw
- RACO® 900 Series covers include additional hardware needed for mounting the device(s)
- Hardware and cover are packed in a poly-bag printed with catalog number, compliances and installation instructions
- Covers are available for mounting one or two devices

Compliances

-  – File E195978
-  – File LR-1082



818-820,
840, 841

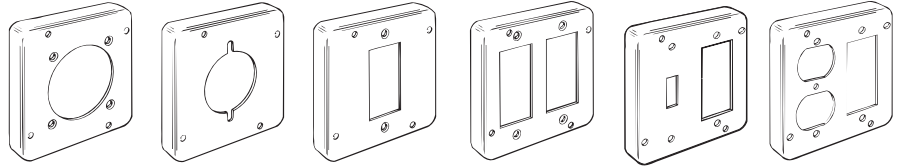
885

870RAC

972

979

887



888

878

856

857

858

959

RACO STEEL BOXES
& COVERS

ORDERING INFORMATION - DIMENSIONS

4-11/16" SQUARE COMBINATION DEVICE AND TILE COVERS – TWO DEVICE				
CATALOG NUMBER	DESCRIPTION	CU. IN.	STD. PKG.	UPC BAR CODE
841	Raised 1/2"	5.5	25	
818	Raised 5/8"	7.3	25	—
840	Raised 3/4"	8.8	25	—
819	Raised 1"	12.0	25	—
820	Raised 1-1/4"	15.0	25	—
885	Raised 1-1/2"	15.5	20	—

4-11/16" SQUARE SURFACE COVERS – RAISED 1/2" – 10.3 CUBIC INCHES			
CATALOG NUMBER	DESCRIPTION	STD. PKG.	UPC BAR CODE
870RAC	1 Toggle switch	10	
972	1 Duplex receptacle	10	
979	2 Duplex receptacles	10	
887	20A Receptacle 1.594" dia.	10	
888	30-60A Receptacle 2.625" dia.	10	
878	30-50A Receptacle 2.141" dia.	10	
856	1 Decorator dev. or GFCI	10	
857	2 Decorator dev. or GFCI	10	
858	1 Toggle & 1 GFCI	10	
959	1 Duplex & 1 GFCI	10	

4-11/16" SQUARE BOX LOW VOLTAGE PARTITIONS – FOR 1-1/2" & 2-1/8" DEEP			
CATALOG NUMBER	DESCRIPTION	STD. PKG.	UPC BAR CODE
For 1-1/2" deep box and 2-device raised cover:			
706	1/2", 3/4" or 1" (841, 840, 819)	25	—
708	1-1/4" or 1-1/2" (820, 885)	25	—
For 2-1/8" deep box and 2-device raised cover:*			
707	1/2", 3/4" or 1" (841, 840, 819)	25	—
709	1-1/4" or 1-1/2" (820, 885)	25	—

* Boxes, covers and partitions must be ordered separately
 * For 2-1/8" deep box with 5/8" cover, use #708 partition
 * Partitions are useable, but not UL listed in 4-11/16" sq. box



Applications

- Handy Boxes, also called utility boxes, are used for convenience outlets, switch boxes or small junction boxes
- They are popular for exposed work applications (surface mounted wiring)
- The NEC requires that surface-mounted wiring be enclosed with a protective covering such as EMT conduit

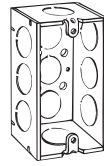
Product Features

- RACO® offers a variety of labor saving mounting brackets that allow for easy positioning of box along studs or joists
- See Box Selection section in the front of this catalog for complete description of bracket types and features

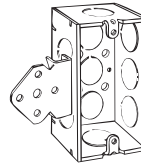
Compliances

-  – File E195978
-  – File LR-1082 (611 only)

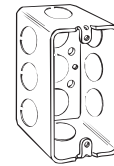
All RACO® single gang, two gang, 4" square, and single gang gangable U.L. listed steel boxes are acceptable for use in 2-hour fire rated walls. For additional information, consult U.L. "Fire Resistance Directory" or the U.L. website at www.ul.com



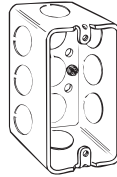
650, 8650



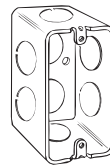
655



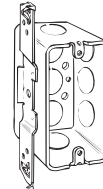
660, 8660



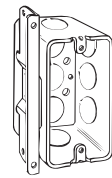
611



663, 8663



662



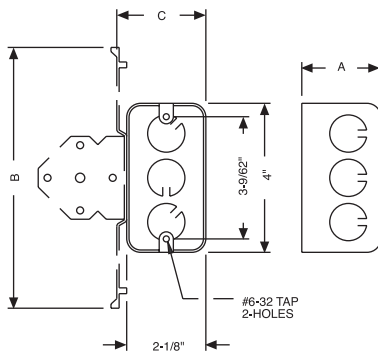
661

ORDERING INFORMATION - DIMENSIONS

4" x 2" HANDY BOXES - 1-1/2" DEEP - WELDED WITH CONDUIT KO'S - 11.5 CUBIC INCHES						
CATALOG NUMBER	DESCRIPTION BRACKET & SETBACK	KNOCKOUTS			STD. PKG.	UPC BAR CODE
		SIDES	ENDS	BOTTOM		
650	—	6-1/2"	2-1/2"	3-1/2"	50	—
8650	—	6-1/2"	2-1/2"	3-1/2"	50	
655	B brkt., 1/4"	3-1/2"	2-1/2"	3-1/2"	50	—

4" x 2" HANDY BOXES - 1-7/8" DEEP - DRAWN WITH CONDUIT KO'S - 13.0 CUBIC INCHES						
CATALOG NUMBER	DESCRIPTION BRACKET & SETBACK	KNOCKOUTS			STD. PKG.	UPC BAR CODE
		SIDES	ENDS	BOTTOM		
660	—	6-1/2"	2-1/2"	3-1/2"	50	—
8660	—	6-1/2"	2-1/2"	3-1/2"	50	
611	Ground screw incl.	6-1/2"	2-1/2"	3-1/2"	50	—
663	—	4-3/4"	2-3/4"	2-3/4"	50	—
8663	—	4-3/4"	2-3/4"	2-3/4"	50	
662	TS brkt., 1/2"	3-1/2"	2-1/2"	3-1/2"	50	
661	A brkt., 5/8"	3-1/2"	2-1/2"	3-1/2"	50	

STEEL HANDY BOXES

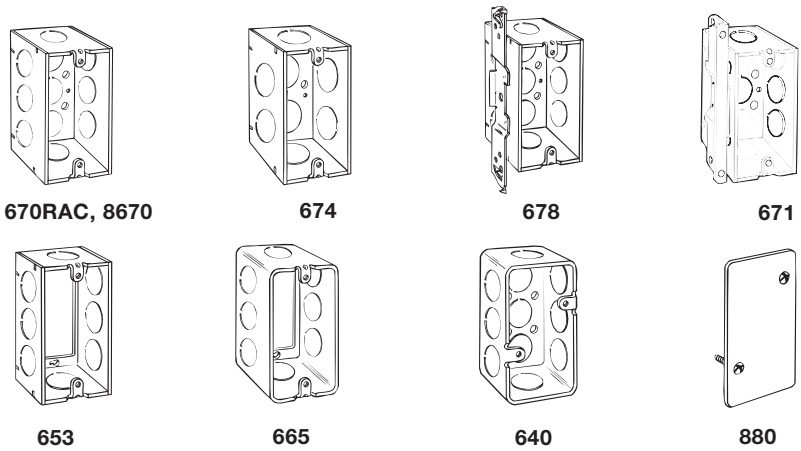


DIMENSIONS			
CATALOG NUMBER	A	B	C
650, 8650	1-1/2"	—	—
655	1-1/2"	—	—
660, 8660	1-7/8"	—	—
611	1-7/8"	—	—
663, 8663	1-7/8"	—	—
662	1-7/8"	7"	2-3/8"
661	1-7/8"	6-7/16"	2-11/32"

HANDY BOXES & EXTENSIONS
1-1/2", 1-7/8" AND 2-1/8" DEEP

Applications

- Handy Boxes, also called utility boxes, are used for convenience outlets, switch boxes or small junction boxes
- They are popular for exposed work applications (surface-mounted wiring)
- The NEC requires that surface-mounted wiring be enclosed with a protective covering such as EMT conduit
- Extension rings provide a means for adding additional cubic capacity or as an outlet box for surface conduit



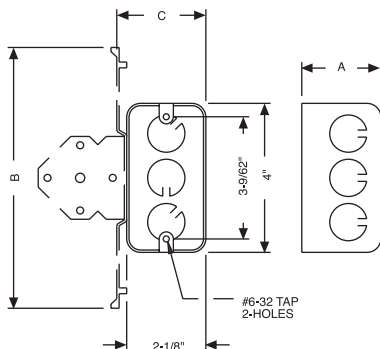
Product Features

- RACO® offers a variety of labor saving mounting brackets that allow for easy positioning of box along studs or joists
- See Box Selection section in the front of this catalog for complete description of bracket types and features

Compliances

- – File E195978
- All RACO® single gang, two gang, 4" square, and single gang gangable U.L. listed steel boxes are acceptable for use in 2-hour fire rated walls. For additional information, consult U.L. "Fire Resistance Directory" or the U.L. website at www.ul.com

STEEL HANDY BOXES



ORDERING INFORMATION - DIMENSIONS

4" x 2" HANDY BOXES – 2-1/8" DEEP – WELDED WITH CONDUIT KO'S – 16.5 CUBIC INCHES						
CATALOG NUMBER	DESCRIPTION BRACKET & SETBACK	KNOCKOUTS			STD. PKG.	UPC BAR CODE
		SIDES	ENDS	BOTTOM		
670RAC	—	6-1/2"	2-1/2"	3-1/2"	50	—
8670	—	6-1/2"	2-1/2"	3-1/2"	50	
674	—	4-3/4"	2-3/4"	2-3/4"	50	
678	TS brkt., 1/2"	3-1/2"	2-1/2"	3-1/2"	50	
671	A brkt., 5/8"	3-1/2"	2-1/2"	3-1/2"	50	

4" x 2" HANDY BOX EXTENSION – 1-1/2" DEEP – WELDED WITH CONDUIT KO'S – 11.5 CUBIC INCHES						
CATALOG NUMBER	DESCRIPTION BRACKET & SETBACK	KNOCKOUTS			STD. PKG.	UPC BAR CODE
		SIDES	ENDS	BOTTOM		
653	—	6-1/2"	2-1/2"	—	25	

4" x 2" HANDY BOX EXTENSION – 1-7/8" DEEP – DRAWN WITH CONDUIT KO'S – 13.0 CUBIC INCHES						
CATALOG NUMBER	DESCRIPTION BRACKET & SETBACK	KNOCKOUTS			STD. PKG.	UPC BAR CODE
		SIDES	ENDS	BOTTOM		
665	—	6-1/2"	2-1/2"	—	50	

3-3/4" x 1-9/16" INDUSTRIAL HANDY BOX & COVER – 1-1/2" DEEP – DRAWN WITH CONDUIT KO'S – 7.3 CUBIC INCHES						
CATALOG NUMBER	DESCRIPTION BRACKET & SETBACK	KNOCKOUTS			STD. PKG.	UPC BAR CODE
		SIDES	ENDS	BOTTOM		
640	—	6-1/2"	2-1/2"	3-1/2"	50	—
880	Blank cover & captive screws	—	—	—	50	—

DIMENSIONS			
CATALOG NUMBER	A	B	C
670, 8670	2-1/8"	—	—
674	2-1/8"	—	—
678	2-1/8"	7"	2-3/8"
671	2-1/8"	7"	2-3/8"
653	1-1/2"	—	—
665	1-7/8"	—	—

Applications

- Handy Box covers are used to close a Handy Box
- Covers also may be used as single-gang wall plates

Product Features

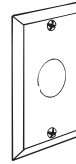
- RACO® Handy Box covers are designed to match the contours of the box
- Cover corners are rounded
- All covers have captive screws
- Handy Box covers are 2-5/16" x 4-3/16"

Compliances

-  – File E195978 (Cat. #861 not UL Listed)
-  – File LR-1082



860



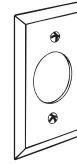
861



865



864



863, 867

ORDERING INFORMATION - DIMENSIONS

4" x 2" HANDY BOX COVERS - 2-5/16" WIDE x 4-3/16" LENGTH			
CATALOG NUMBER	DESCRIPTION	STD. PKG.	UPC BAR CODE
860	Blank	25	
861	1/2" KO centered	25	
865	Toggle switch	25	
864	Duplex receptacle	25	
863	Single receptacle 1.406" dia.	25	
867	20A Receptacle 1.594" dia.	25	



SWITCH BOXES
SINGLE-GANG - 1" DEEP

RACO STEEL BOXES
& COVERS


Application


- Shallow switch boxes are made for use with furring strips and 1/4" paneling

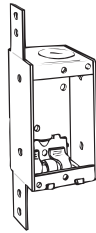
Product Features

- Shallow boxes have a "D" bracket that is scored, so it may be broken off if needed
- RACO® offers a variety of labor saving mounting brackets that allow for easy positioning of box along studs or joists
- See Box Selection section in the front of this catalog for complete description of bracket types and features

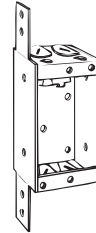
Compliances

-  – File E195978 (Cat. #404 and #405 not UL Listed)

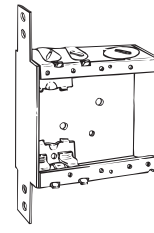
 All RACO® single gang, two gang, 4" square, and single gang gangable U.L. listed steel boxes are acceptable for use in 2-hour fire rated walls. For additional information, consult U.L. "Fire Resistance Directory" or the U.L. website at www.ul.com



404



405



418

ORDERING INFORMATION - DIMENSIONS

3-3/4" x 2" SWITCH BOXES - 1" DEEP - NONGANGABLE - WELDED WITH NONMETALLIC SHEATHED CABLE CLAMPS - 6.5 CUBIC INCHES							
CATALOG NUMBER	DESCRIPTION BRACKET & SETBACK	SIDE COND.	KNOCKOUTS ENDS		BOTTOM COND.	STD. PKG.	UPC BAR CODE
			CABLE	COND.			
404	Q clamp, 1/4"	—	2	1-1/2"	—	25	
405	Q clamp, 1/4"	—	4	—	—	25	

4" x 4" SWITCH BOX - 1" DEEP - NONGANGABLE - WELDED WITH NONMETALLIC SHEATHED CABLE CLAMPS - 14.8 CUBIC INCHES							
CATALOG NUMBER	DESCRIPTION BRACKET & SETBACK	SIDE COND.	KNOCKOUTS ENDS		BOTTOM COND.	STD. PKG.	UPC BAR CODE
			CABLE	COND.			
418	(2) Q clamp, 1/4"	—	4	2-1/2"	—	25	

SWITCH BOXES SINGLE-GANG - 1-1/2" AND 2" DEEP

Application

- Switch boxes are used to house wiring devices such as switches or outlets

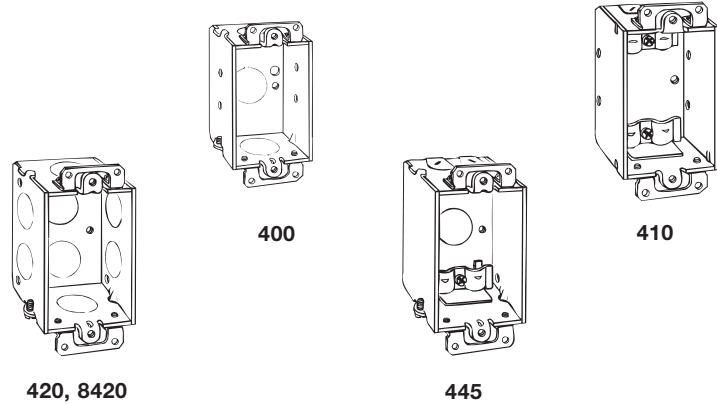
Product Features

- Gangable switch boxes offer the option of constructing a box to hold two or more devices
- Plaster ears allow box to be used in "old work" applications

Compliances

-  - File E195978

All RACO® single gang, two gang, 4" square, and single gang gangable U.L. listed steel boxes are acceptable for use in 2-hour fire rated walls. For additional information, consult U.L. "Fire Resistance Directory" or the U.L. website at www.ul.com



ORDERING INFORMATION - DIMENSIONS

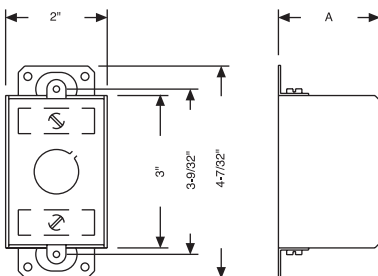
3" x 2" SWITCH BOX - 1-1/2" DEEP - GANGABLE WITH CONDUIT KO'S - 7.5 CUBIC INCHES						
CATALOG NUMBER	DESCRIPTION BRACKET & SETBACK	KNOCKOUTS			STD. PKG.	UPC BAR CODE
		SIDES	ENDS	BOTTOM		
400	Ears	—	2-1/2"	1-1/2"	20	

3" x 2" SWITCH BOX - 1-1/2" DEEP - NONGANGABLE WITH NONMETALLIC SHEATHED CABLE CLAMPS - 7.5 CUBIC INCHES							
CATALOG NUMBER	DESCRIPTION BRACKET & SETBACK	SIDES COND.	ENDS		BOTTOM COND.	STD. PKG.	UPC BAR CODE
			CABLE	COND.			
410	Ears	—	4	—	—	50	

3" x 2" SWITCH BOX - 2" DEEP - GANGABLE WITH CONDUIT KO'S - 10.0 CUBIC INCHES						
CATALOG NUMBER	DESCRIPTION BRACKET & SETBACK	KNOCKOUTS			STD. PKG.	UPC BAR CODE
		SIDES	ENDS	BOTTOM		
420	Ears	4-1/2"	2-1/2"	2-1/2"	50	—
8420	Ears	4-1/2"	2-1/2"	2-1/2"	50	

3" x 2" SWITCH BOX - 2" DEEP - GANGABLE WITH NONMETALLIC SHEATHED CABLE CLAMPS - 10.0 CUBIC INCHES							
CATALOG NUMBER	DESCRIPTION BRACKET & SETBACK	SIDES COND.	ENDS		BOTTOM COND.	STD. PKG.	UPC BAR CODE
			CABLE	COND.			
445	Ears	—	4	—	1-1/2"	50	—

STEEL SWITCH BOXES



DIMENSIONS	
CATALOG NUMBER	A
400	1-1/2"
410	1-1/2"
420, 8420	2"
445	2"

SWITCH BOXES SINGLE-GANG - 2", 2-1/8" AND 2-1/4" DEEP


Application


- Switch boxes are used to house wiring devices such as switches or outlets

Product Features

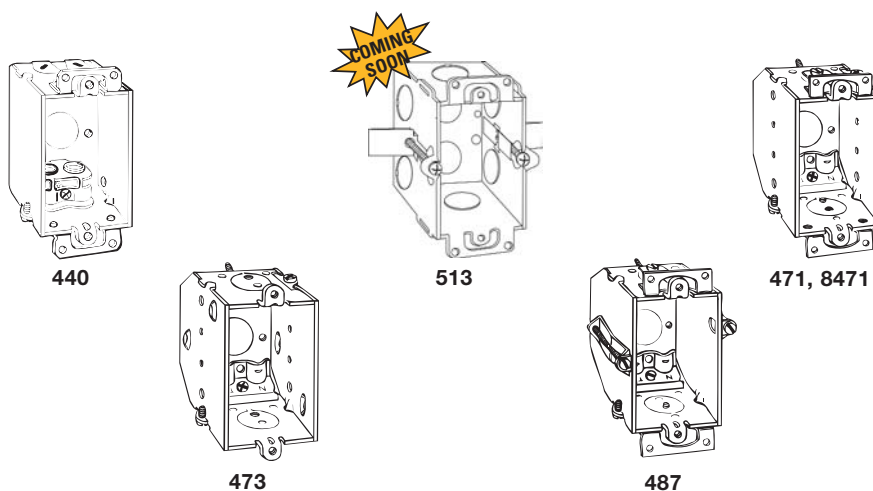
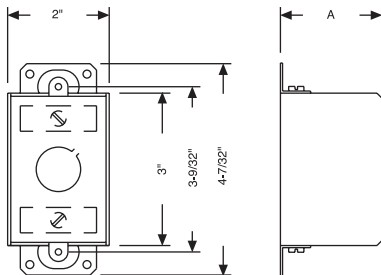
- Gangable boxes offer the option of constructing a box to hold two or more devices
- Beveled corner boxes are designed to prevent the clamp screws from protruding into back wall
- Plaster ears allow box to be used in "old work" applications

Compliances

-  - File E195978 (Cat. #513 not UL Listed)

 All RACO® single gang, two gang, 4" square, and single gang gangable U.L. listed steel boxes are acceptable for use in 2-hour fire rated walls. For additional information, consult U.L. "Fire Resistance Directory" or the U.L. website at www.ul.com

STEEL SWITCH BOXES



ORDERING INFORMATION - DIMENSIONS

3" X 2" SWITCH BOX - 2" DEEP - GANGABLE WITH ARMORED CABLE/METAL CLAD/FLEX CLAMPS - 10.0 CUBIC INCHES							
CATALOG NUMBER	DESCRIPTION BRACKET & SETBACK	SIDE COND.	KNOCKOUTS ENDS		BOTTOM COND	STD. PKG.	UPC BAR CODE
			CABLE	COND.			
440	Ears	—	4	—	1-1/2"	50	—

3" X 2" SWITCH BOX - 2-1/8" DEEP - NONGANGABLE - "SNAP IN CLIP" "OLD WORK" WITH CONDUIT KO'S - 11.0 CUBIC INCHES							
CATALOG NUMBER	DESCRIPTION BRACKET & SETBACK	KNOCKOUTS			STD. PKG.	UPC BAR CODE	
		SIDES	ENDS	BOTTOM			
513	Old Work With Snap In Clips And Ears	2-1/2"	1-1/2"	2-1/2"	24		

3" X 2" SWITCH BOXES - 2-1/4" DEEP - GANGABLE - BEVELED CORNERS WITH NONMETALLIC SHEATHED CABLE CLAMPS - 10.5 CUBIC INCHES							
CATALOG NUMBER	DESCRIPTION BRACKET & SETBACK	SIDE COND.	KNOCKOUTS ENDS		BOTTOM COND	STD. PKG.	UPC BAR CODE
			CABLE	COND.			
471	Ears	—	4	—	1-1/2"	50	—
8471	Ears	—	4	—	1-1/2"	50	
473	Level bumps	—	4	2-1/2"	1-1/2"	20	
487	Old work, Griptite	—	4	—	1-1/2"	20	

DIMENSIONS	
CATALOG NUMBER	A
440	2"
471, 8471	2-1/4"
473	2-1/4"
487	2-1/4"

SWITCH BOXES SINGLE-GANG - 2-1/2" DEEP

Application

- Switch boxes are used to house wiring devices such as switches or outlets

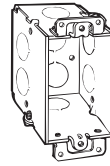
Product Features

- RACO® offers a variety of labor saving mounting brackets that allow for easy positioning of box along studs or joists
- See Box Selection section in the front of this catalog for complete description of bracket types and features
- Gangable switch boxes offer the option of constructing a box to hold two or more devices
- Plaster ears allow the box to be used in "old work" applications

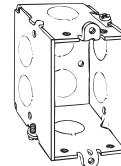
Compliances

-  - File E195978

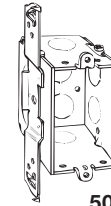
All RACO® single gang, two gang, 4" square, and single gang gangable U.L. listed steel boxes are acceptable for use in 2-hour fire rated walls. For additional information, consult U.L. "Fire Resistance Directory" or the U.L. website at www.ul.com



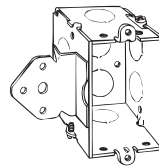
500, 503, 8500



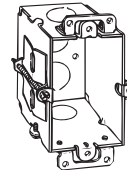
501



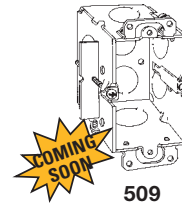
504, 505, 8504



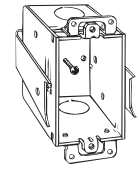
502



506



509



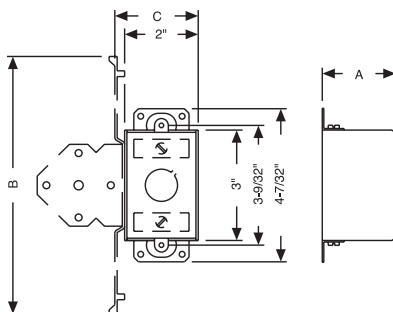
508

ORDERING INFORMATION - DIMENSIONS

3" x 2" SWITCH BOXES - 2-1/2" DEEP - GANGABLE WITH CONDUIT KO'S - 12.5 CUBIC INCHES						
CATALOG NUMBER	DESCRIPTION BRACKET & SETBACK	KNOCKOUTS			STD. PKG.	UPC BAR CODE
		SIDES	ENDS	BOTTOM		
500	Ears	4-1/2"	2-1/2"	2-1/2"	50	—
8500	Ears	4-1/2"	2-1/2"	2-1/2"	50	
503	Ears	4-1/2"	2-3/4"	2-1/2"	50	—
501	Without ears	4-1/2"	2-1/2"	2-1/2"	50	
504	TS brkt., 1/2"	2-1/2"	2-1/2"	2-1/2"	50	—
8504	TS brkt., 1/2"	2-1/2"	2-1/2"	2-1/2"	10	
505	TS brkt., 1/2"	2-1/2"	2-3/4"	2-1/2"	50	—
502	B brkt., 5/8"	4-1/2"	2-1/2"	2-1/2"	10	—
506	Old work, Tigergrip	—	2-1/2"	2-1/2"	20	
509	Old work	—	2-1/2"	2-1/2"	20	

3" x 2" SWITCH BOX - 2-1/2" DEEP - NONGANGABLE WITH CONDUIT KO'S - 12.5 CUBIC INCHES						
CATALOG NUMBER	DESCRIPTION BRACKET & SETBACK	KNOCKOUTS			STD. PKG.	UPC BAR CODE
		SIDES	ENDS	BOTTOM		
508	Old work	—	2-1/2"	—	20	

STEEL SWITCH BOXES



DIMENSIONS			
CATALOG NUMBER	A	B	C
500, 8500	2-1/2"	—	—
503	2-1/2"	—	—
501	2-1/2"	—	—
504, 8504	2-1/2"	7-5/32"	2-5/16"
502	2-1/2"	2"	4"
506	2-1/2"	—	—
508	2-1/2"	—	—
509	2-1/2"	—	—

SWITCH BOXES
SINGLE-GANG - 2-1/2" DEEP

Application


- Switch boxes are used to house wiring devices such as switches or outlets

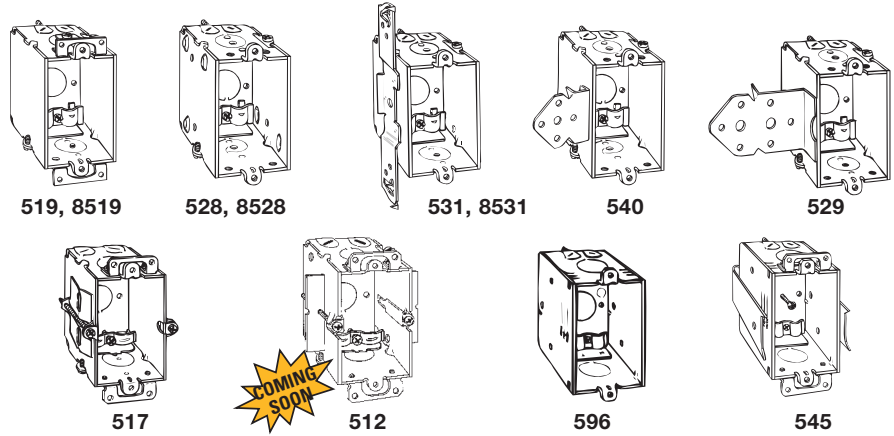
Product Features

- RACO® offers a variety of labor saving mounting brackets that allow for easy positioning of box along studs or joists
- See Box Selection section in the front of this catalog for complete description of bracket types and features
- Gangable switch boxes offer the option of constructing a box to hold two or more devices
- Plaster ears allow box to be used in "old work" applications

Compliances

-  - File E195978

 All RACO® single gang, two gang, 4" square, and single gang gangable U.L. listed steel boxes are acceptable for use in 2-hour fire rated walls. For additional information, consult U.L. "Fire Resistance Directory" or the U.L. website at www.ul.com

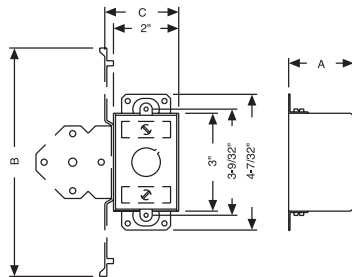


ORDERING INFORMATION - DIMENSIONS

3" x 2" SWITCH BOXES - 2-1/2" DEEP - GANGABLE WITH NONMETALLIC SHEATHED CABLE CLAMPS - 12.5 CUBIC INCHES							
CATALOG NUMBER	DESCRIPTION BRACKET & SETBACK	SIDE COND.	KNOCKOUTS ENDS		BOTTOM COND.	STD. PKG.	UPC BAR CODE
			CABLE	COND.			
519	Ears	—	4	—	1-1/2"	50	—
8519	Ears	—	4	—	1-1/2"	50	
528	Level bumps	—	4	2-1/2"	1-1/2"	50	—
8528	Level bumps	—	4	2-1/2"	1-1/2"	50	
531	TS brkt., 1/2"	—	4	2-1/2"	1-1/2"	50	—
8531	TS brkt., 1/2"	—	4	2-1/2"	1-1/2"	50	
540	B brkt., 1/4"	—	4	2-1/2"	1-1/2"	50	—
529	Long brkt., 5/8"	—	4	2-1/2"	1-1/2"	50	
517	Old work, Tigergrip	4	—	—	1-1/2"	20	
512	Old work	4	—	—	1-1/2"	20	

3" x 2" SWITCH BOXES - 2-1/2" DEEP - NONGANGABLE WITH NONMETALLIC SHEATHED CABLE CLAMPS - 12.5 CUBIC INCHES							
CATALOG NUMBER	DESCRIPTION BRACKET & SETBACK	SIDE COND.	KNOCKOUTS ENDS		BOTTOM COND.	STD. PKG.	UPC BAR CODE
			CABLE	COND.			
596	Without ears	—	4	2-1/2"	1-1/2"	50	—
545	Old work	—	4	2-1/2"	—	20	

STEEL SWITCH BOXES



DIMENSIONS			
CATALOG NUMBER	A	B	C
519, 8519	2-1/2"	—	—
528, 8528	2-1/2"	—	—
531, 8531	2-1/2"	7-5/32"	2-5/16"
540	2-1/2"	13-1/32"	5-3/64"
529	2-1/2"	13-1/32"	5-3/64"
517	2-1/2"	—	—
596	2-1/2"	—	—
545	2-1/2"	—	—

SWITCH BOXES SINGLE-GANG - 2-1/2" DEEP

Application


- Switch boxes are used to house wiring devices such as switches or outlets

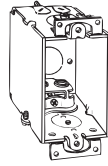
Product Features

- RACO® offers a variety of labor saving mounting brackets that allow for easy positioning of box along studs or joists
- See Box Selection section in the front of this catalog for complete description of bracket types and features
- Gangable switch boxes offer the option of constructing a box to hold two or more devices
- Plaster ears allow box to be used in "old work" applications

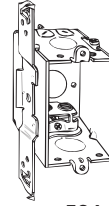
Compliances

-  - File E195978

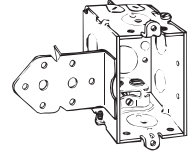
 All RACO® single gang, two gang 4" square, and single gang gangable boxes U.L. listed steel boxes are acceptable for use in 2-hour fire rated walls. For additional information, consult U.L. "Fire Resistance Directory" or the U.L. website at www.ul.com



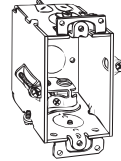
518, 8518



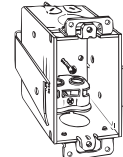
524, 8524



522, 8522



523, 8523



526

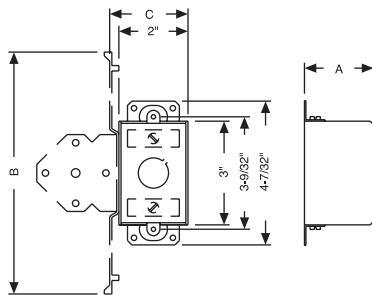
ORDERING INFORMATION - DIMENSIONS

3" x 2" SWITCH BOXES - 2-1/2" DEEP - GANGABLE WITH ARMORED CABLE/METAL CLAD/FLEX CLAMPS - 12.5 CUBIC INCHES							
CATALOG NUMBER	DESCRIPTION BRACKET & SETBACK	SIDE COND.	KNOCKOUTS ENDS		BOTTOM COND.	STD. PKG.	UPC BAR CODE
			CABLE	COND.			
518	Ears	—	4	—	1-1/2"	50	—
8518	Ears	—	4	—	1-1/2"	50	
524	TS brkt., 1/2"	—	4	2-1/2"	1-1/2"	50	—
8524	TS brkt., 1/2"	—	4	2-1/2"	1-1/2"	50	
522	Long B, 5/8"	—	4	2-1/2"	1-1/2"	50	—
8522	Long B, 5/8"	—	4	2-1/2"	1-1/2"	50	
523	Old work, Griptite	—	4	—	1-1/2"	50	—
8523	Old work, Griptite	—	4	—	1-1/2"	50	

3" x 2" SWITCH BOX - 2-1/2" DEEP - NONGANGABLE WITH ARMORED CABLE/METAL CLAD/FLEX CLAMPS - 12.5 CUBIC INCHES							
CATALOG NUMBER	DESCRIPTION BRACKET & SETBACK	SIDE COND.	KNOCKOUTS ENDS		BOTTOM COND.	STD. PKG.	UPC BAR CODE
			CABLE	COND.			
526	Old work	—	4	—	—	20	

DIMENSIONS			
CATALOG NUMBER	A	B	C
518, 8518	2-1/2"	—	—
524, 8524	2-1/2"	7-5/32"	2-5/16"
522, 8522	2-1/2"	13-1/32"	5-3/64"
526	2-1/2"	1-3/8"	3-13/32"

STEEL SWITCH BOXES



SWITCH BOXES
SINGLE-GANG - 2-3/4" AND 2-27/32" DEEP

Application

- Switch boxes are used to house wiring devices such as switches or outlets

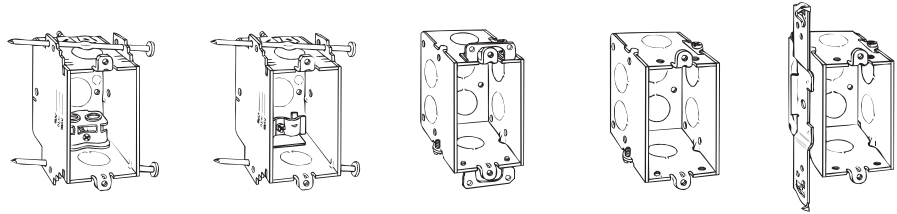
Product Features

- RACO® 353, 355 and 8355 are extra-wide for ease of GFCI device installation
- RACO® offers a variety of labor saving mounting brackets that allow for easy positioning of box along studs or joists
- See Box Selection section in the front of this catalog for complete description of bracket types and features
- Plaster ears allow the box to be used in "old work" applications

Compliances

-  - File E195978

All RACO® single gang, two gang, 4" square, and single gang gangable U.L. listed steel boxes are acceptable for use in 2-hour fire rated walls. For additional information, consult U.L. "Fire Resistance Directory" or the U.L. website at www.ul.com



353

355, 8355

560, 565, 8560

561

562

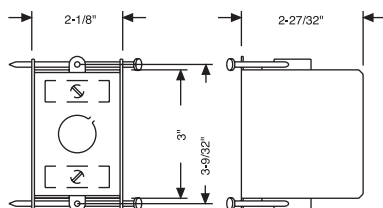
ORDERING INFORMATION - DIMENSIONS

3" x 2-1/8" SWITCH BOX - 2-27/32" DEEP - NONGANGABLE WITH ARMORED CABLE/METAL CLAD/FLEX CLAMPS - 15.8 CUBIC INCHES							
CATALOG NUMBER	DESCRIPTION BRACKET & SETBACK	KNOCKOUTS			STD. PKG.	UPC BAR CODE	
		SIDE COND.	ENDS				BOTTOM COND.
			CABLE	COND.			
353	S brkt., nails	—	4	—	1-1/2"	50	

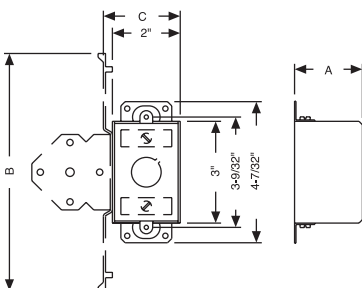
3" x 2-1/8" SWITCH BOX - 2-27/32" DEEP - NONGANGABLE WITH NONMETALLIC SHEATHED CABLE CLAMPS - 15.8 CUBIC INCHES							
CATALOG NUMBER	DESCRIPTION BRACKET & SETBACK	KNOCKOUTS			STD. PKG.	UPC BAR CODE	
		SIDE COND.	ENDS				BOTTOM COND.
			CABLE	COND.			
355	S brkt., nails	—	4	—	1-1/2"	50	—
8355	S brkt., nails	—	4	—	1-1/2"	20	

3" x 2" SWITCH BOXES - 2-3/4" DEEP - GANGABLE WITH CONDUIT KO'S - 14.0 CUBIC INCHES						
CATALOG NUMBER	DESCRIPTION BRACKET & SETBACK	KNOCKOUTS			STD. PKG.	UPC BAR CODE
		SIDES	ENDS	BOTTOM		
560	Ears	4-1/2"	2-1/2"	2-1/2"	50	—
8560	Ears	4-1/2"	2-1/2"	2-1/2"	50	
565	Ears	4-1/2"	2-3/4"	2-1/2"	50	—
561	Without ears	4-1/2"	2-1/2"	2-1/2"	50	—
562	TS brkt., 1/2"	2-1/2"	2-1/2"	2-1/2"	50	—

CAT. NO. 353, 355, 8355



STEEL SWITCH BOXES



DIMENSIONS			
CATALOG NUMBER	A	B	C
560, 8560	2-3/4"	—	—
565	2-3/4"	—	—
562	2-3/4"	7-5/32"	2-5/16"
561	2-3/4"	7-5/32"	2-5/16"

Application

- Switch boxes are used to house wiring devices such as switches or outlets

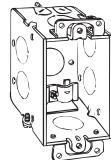
Product Features

- RACO® offers a variety of labor saving mounting brackets that allow for easy positioning of box along studs or joists
- See Box Selection section in the front of this catalog for complete description of bracket types and features
- Plaster ears allow the box to be used in "old work" applications

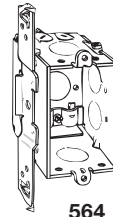
Compliances

-  - File E195978

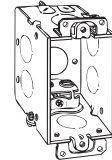
All RACO® single gang, two gang, 4" square, and single gang gangable U.L. listed steel boxes are acceptable for use in 2-hour fire rated walls. For additional information, consult U.L. "Fire Resistance Directory" or the U.L. website at www.ul.com



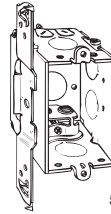
567



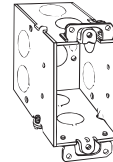
564



570RAC



574



590, 591, 8590



592

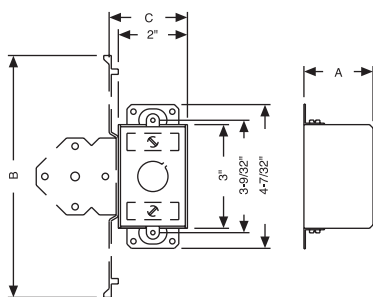
ORDERING INFORMATION - DIMENSIONS

3" x 2" SWITCH BOXES - 2-3/4" DEEP - GANGABLE WITH NONMETALLIC SHEATHED CABLE CLAMPS - 14.0 CUBIC INCHES							
CATALOG NUMBER	DESCRIPTION BRACKET & SETBACK	SIDE COND.	KNOCKOUTS ENDS		BOTTOM COND.	STD. PKG.	UPC BAR CODE
			CABLE	COND.			
567	Ears	4-1/2"	4	2-1/2"	1-1/2"	50	
564	TS brkt., 1/2"	2-1/2"	4	2-1/2"	1-1/2"	50	

3" x 2" SWITCH BOXES - 2-3/4" DEEP - GANGABLE WITH ARMORED CABLE/METAL CLAD/FLEX CLAMPS - 14.0 CUBIC INCHES							
CATALOG NUMBER	DESCRIPTION BRACKET & SETBACK	SIDE COND.	KNOCKOUTS ENDS		BOTTOM COND.	STD. PKG.	UPC BAR CODE
			CABLE	COND.			
570RAC	Ears	4-1/2"	4	2-1/2"	1-1/2"	50	—
574	TS brkt., 1/2"	2-1/2"	4	2-1/2"	1-1/2"	50	

3" x 2" SWITCH BOXES - 3-1/2" DEEP - GANGABLE WITH CONDUIT KO'S - 18.0 CUBIC INCHES							
CATALOG NUMBER	DESCRIPTION BRACKET & SETBACK	KNOCKOUTS			STD. PKG.	UPC BAR CODE	
		SIDES	ENDS	BOTTOM			
590	Ears	4-1/2"	4-1/2"	1-1/2"	50	—	
8590	Ears	4-1/2"	4-1/2"	1-1/2"	50		
591	Ears	4-3/4"	4-3/4"	1-1/2"	50		
592	Without ears	4-1/2"	4-1/2"	1-1/2"	50	—	

STEEL SWITCH BOXES



DIMENSIONS			
CATALOG NUMBER	A	B	C
567	2-3/4"	—	—
564	2-3/4"	7-5/32"	2-5/16"
570RAC	2-3/4"	—	—
574	2-3/4"	7-5/32"	2-5/16"
590, 8590	3-1/2"	—	—
591	3-1/2"	—	—
592	3-1/2"	—	—

SWITCH BOXES
SINGLE-GANG - 3-1/2" DEEP

Application


- Switch boxes are used to house wiring devices such as switches or outlets

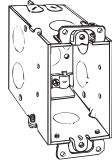
Product Features

- RACO® offers a variety of labor saving mounting brackets that allow for easy positioning of box along studs or joists
- See Box Selection section in the front of this catalog for complete description of bracket types and features
- Gangable switch boxes offer the option of constructing a box to hold two or more devices
- Plaster ears allow the box to be used in "old work" applications

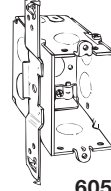
Compliances

-  – File E195978

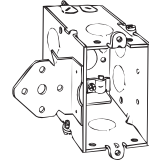
 All RACO® single gang, two gang, 4" square, and single gang gangable U.L. listed steel boxes are acceptable for use in 2-hour fire rated walls. For additional information, consult U.L. "Fire Resistance Directory" or the U.L. website at www.ul.com



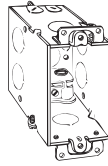
601, 8601



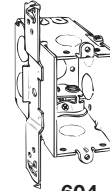
605



603



600



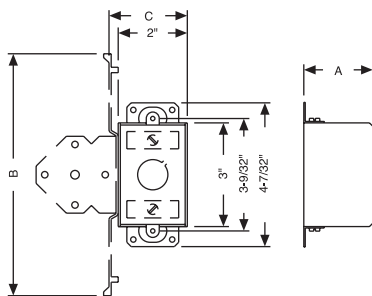
604, 8604

ORDERING INFORMATION - DIMENSIONS

3" x 2" SWITCH BOXES - 3-1/2" DEEP - GANGABLE WITH NONMETALLIC SHEATHED CABLE CLAMPS - 18.0 CUBIC INCHES							
CATALOG NUMBER	DESCRIPTION BRACKET & SETBACK	SIDE COND.	KNOCKOUTS ENDS		BOTTOM COND.	STD. PKG.	UPC BAR CODE
			CABLE	COND.			
601	Ears	4-1/2"	4	2-1/2"	1-1/2"	25	—
8601	Ears	4-1/2"	4	2-1/2"	1-1/2"	25	
605	TS brkt., 1/2"	4-1/2"	4	2-1/2"	1-1/2"	25	
603	B brkt., 5/8"	4-1/2"	4	2-1/2"	1-1/2"	25	—

3" x 2" SWITCH BOXES - 3-1/2" DEEP - GANGABLE WITH ARMORED CABLE/METAL CLAD/FLEX CLAMPS - 18.0 CUBIC INCHES							
CATALOG NUMBER	DESCRIPTION BRACKET & SETBACK	SIDE COND.	KNOCKOUTS ENDS		BOTTOM COND.	STD. PKG.	UPC BAR CODE
			CABLE	COND.			
600	Ears	4-1/2"	4	2-1/2"	1-1/2"	25	—
604	TS brkt., 1/2"	4-1/2"	4	2-1/2"	1-1/2"	25	—
8604	TS brkt., 1/2"	4-1/2"	4	2-1/2"	1-1/2"	25	

STEEL SWITCH BOXES



DIMENSIONS			
CATALOG NUMBER	A	B	C
601, 8601	3-1/2"	—	—
605	3-1/2"	7-5/32"	2-5/16"
603	3-1/2"	1-31/32"	4"
600	3-1/2"	—	—
604, 8604	3-1/2"	7-5/32"	2-5/16"

Applications

- Installers can save time and cut installation costs with two-gang switch boxes
- These larger capacity boxes are ideal for today's designs where there is a need to install two devices at one location
- Drawn boxes are ideal for exposed work applications (surface mounted wiring)

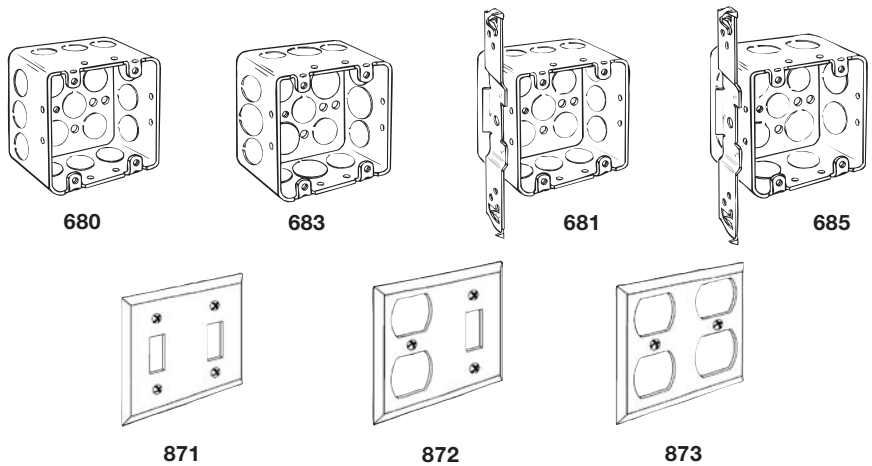
Product Features

- 681, 685 bracketed boxes are set back 1/2" eliminating the need for a plaster ring
- RACO® offers a variety of labor saving mounting brackets that allow for easy positioning of box along studs or joists
- See Box Selection section in the front of this catalog for complete description of bracket types and features
- Covers are unpainted and manufactured from pre-galvanized steel

Compliances

-  – File E195978

All RACO® single gang, two gang, 4" square, and single gang gangable U.L. listed steel boxes are acceptable for use in 2-hour fire rated walls. For additional information, consult U.L. "Fire Resistance Directory" or the U.L. website at www.ul.com



ORDERING INFORMATION - DIMENSIONS

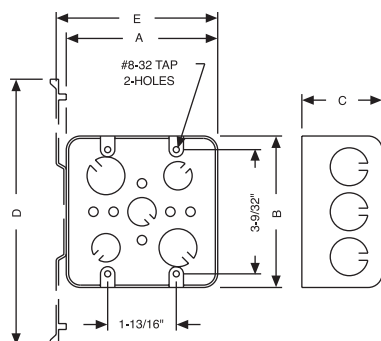
4" SQUARE TWO DEVICE SWITCH BOX - 2-1/8" DEEP - DRAWN WITH CONDUIT KO'S - 30.3 CUBIC INCHES					
CATALOG NUMBER	DESCRIPTION BRACKET & SETBACK	KNOCKOUTS		STD. PKG.	UPC BAR CODE
		SIDES COND.	BOTTOM COND.		
680	—	12-1/2"	5-1/2"	25	
683	—	8-1/2", 4-3/4"	3-1/2", 2-3/4"	25	
681	TS brkt., 1/2"	9-1/2"	5-1/2"	25	
685	TS brkt., 1/2"	6-3/4"	3-1/2", 2-3/4"	25	

4" SQUARE - TWO-DEVICE WALL PLATES*			
CATALOG NUMBER	DESCRIPTION	STD. PKG.	UPC BAR CODE
871	2 Toggle switches	25	
872	1 Dup. & 1 Toggle switch	25	
873	2 Duplex receptacles	25	

*Cover face surface is 1/4" from wall when installed

DIMENSIONS					
CATALOG NUMBER	A	B	C	D	E
680	4"	4"	2-1/8"	—	—
683	4"	4"	2-1/8"	—	—
681	4"	4"	2-1/8"	7"	4-9/32"
685	4"	4"	2-1/8"	7"	4-9/32"

TWO-GANG SWITCH BOXES



SWITCH BOXES
MULTI-GANG - 2-1/2" DEEP


Applications

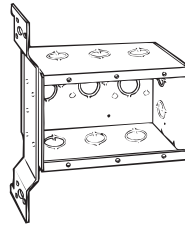
- Installers can save time and cut installation costs with multi-gang switch boxes
- These larger capacity boxes are ideal for today's designs where there is a need to install more than two devices at one location

Product Features

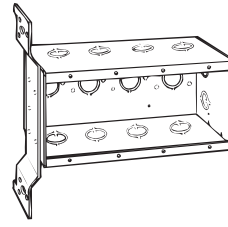
- RACO® offers a variety of labor saving mounting brackets that allow for easy positioning of box along studs or joists
- See Box Selection section in the front of this catalog for complete description of bracket types and features

Compliance

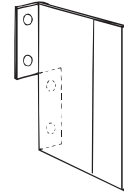
-  – File E195978 (Cat. #971 not UL Listed)



686



687

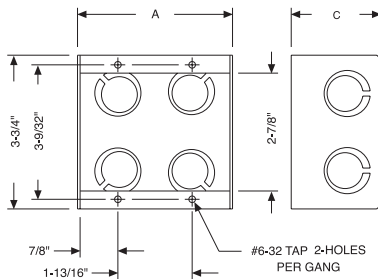


971

ORDERING INFORMATION - DIMENSIONS

MULTI-DEVICE SWITCH BOXES - 2-1/2" DEEP - WELDED WITH CONDUIT KO'S							
CATALOG NUMBER	DESCRIPTION BRACKET & SETBACK	KNOCKOUTS			CU. IN. CAP.	STD. PKG.	UPC BAR CODE
		SIDES	ENDS	BOTTOM			
686	3-Gang 1/2" setback	2-1/2", 2-3/4"	6-1/2", 6-3/4"	3-1/2", 3-3/4"	47.8	10	
687	4-Gang 1/2" setback	2-1/2", 2-3/4"	8-1/2", 8-3/4"	4-1/2", 4-3/4"	63.5	10	
971	Low voltage partition	—	—	—	—	25	—

MULTI-GANG SWITCH BOXES



DIMENSIONS					
CATALOG NUMBER	A	B	C	D	E
686	5-9/16"	3-3/4"	2-1/2"	7-5/8"	5-31/32"
687	7-3/8"	3-3/4"	2-1/2"	7-5/8"	7-25/32"

Application

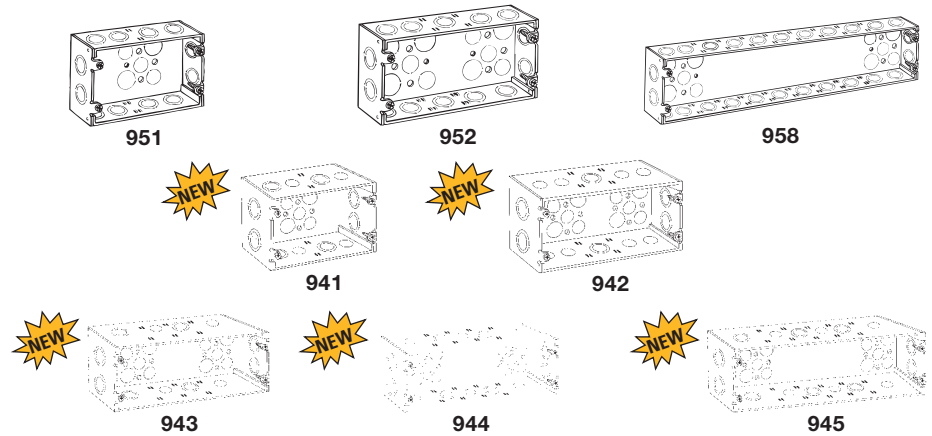
- Gang boxes are used where a number of wiring devices are to be centrally located

Product Features

- Gang boxes save time in installation — no need to gang boxes together
- Have 1/2" and 3/4" concentric KO's for use with a wide variety of wiring methods
- Bottom KO pattern — 3-1/2" and 2-3/4"
- Accept two styles of covers — flat and 3/4" raised device cover
- Device covers also fit next smaller box, i.e. three-gang cover fits two- or three-gang box
- Use low voltage partitions #974 or #949

Compliance

-  – File E195978



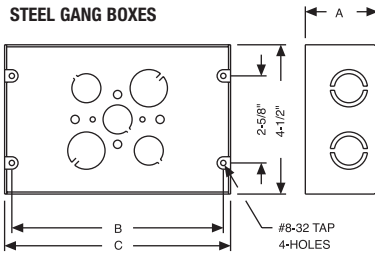
ORDERING INFORMATION - DIMENSIONS

GANG BOXES - 1-5/8" & 2-1/2" DEEP - WELDED WITH CONDUIT KO'S									
CATALOG NUMBER	NO. OF GANGS	DEPTH	WIDTH	KNOCKOUTS			CU. IN.	STD. PKG.	UPC BAR CODE
				TOP & BOTTOM*	SIDES*	BACK			
951	2	1-5/8"	6-13/16"	8-conc.	4-conc.	3-1/2", 2-3/4"	47.0	5	—
952	3	1-5/8"	8-5/8"	10-conc.	4-conc.	6-1/2", 4-3/4"	60.0	5	
953	4	1-5/8"	10-7/16"	12-conc.	4-conc.	6-1/2", 4-3/4"	72.8	5	
954	5	1-5/8"	12-1/4"	14-conc.	4-conc.	6-1/2", 4-3/4"	85.8	5	—
955	6	1-5/8"	14-1/16"	16-conc.	4-conc.	6-1/2", 4-3/4"	98.5	1	—
956	7	1-5/8"	15-7/8"	18-conc.	4-conc.	6-1/2", 4-3/4"	111.5	1	—
957	8	1-5/8"	17-11/16"	20-conc.	4-conc.	6-1/2", 4-3/4"	124.5	1	—
958	9	1-5/8"	19-1/2"	22-conc.	4-conc.	6-1/2", 4-3/4"	137.3	1	—
941	2	2-1/2"	6-13/16"	4-3/4", 4-conc.	4-conc.	3-1/2", 2-3/4"	70.0	5	
942	3	2-1/2"	8-5/8"	8-3/4", 2-conc.	4-conc.	6-1/2", 4-3/4"	90.0	5	
943	4	2-1/2"	10-7/16"	4-3/4", 4-conc.	4-conc.	6-1/2", 4-3/4"	110.0	5	
944	5	2-1/2"	12-1/4"	6-3/4", 4-conc.	4-conc.	6-1/2", 4-3/4"	130.0	5	
945	6	2-1/2"	14-1/16"	6-3/4", 6-conc.	4-conc.	6-1/2", 4-3/4"	150.0	25	

*1-5/8" deep boxes, concentric KO's are 1/2" & 3/4"

*2-1/2" deep boxes, concentric KO's are 3/4" & 1"

STEEL GANG BOXES



DIMENSIONS				
CATALOG NUMBER	NO. OF GANGS	A	B	C
951	2	1-5/8"	6-3/8"	6-13/16"
952	3	1-5/8"	8-3/16"	8-5/8"
953	4	1-5/8"	10"	10-7/16"
954	5	1-5/8"	11-13/16"	12-1/4"
955	6	1-5/8"	13-5/8"	14-1/16"
956	7	1-5/8"	15-7/16"	15-7/8"
957	8	1-5/8"	17-1/4"	17-11/16"
958	9	1-5/8"	19-1/16"	19-1/2"
941	2	2-1/2"	6-3/8"	6-13/16"
942	3	2-1/2"	8-3/16"	8-5/8"
943	4	2-1/2"	10"	10-7/16"
944	5	2-1/2"	11-13/16"	12-1/4"
945	6	2-1/2"	13-5/8"	14-1/16"

GANG BOXES, PARTITIONS AND COVERS


Application

- Gang box covers permit the mounting of devices

Product Feature

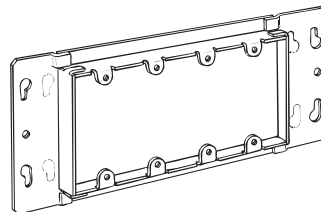
- Device covers also fit next smaller box, i.e. three-gang cover fits two- or three-gang box

Compliance

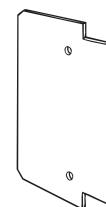
-  – File E195978 (Cat. #974 and 949 not UL Listed)



846



823



974

ORDERING INFORMATION - DIMENSIONS

FLAT, BLANK COVERS FOR GANG BOXES					
CATALOG NUMBER	NO. OF GANGS	WIDTH	CU. IN.	STD. PKG.	UPC BAR CODE
844	2	7-1/16"	—	5	—
845	3	8-7/8"	—	5	—
846	4	10-11/16"	—	5	—
847	5	12-1/2"	—	1	—
848	6	14-5/16"	—	1	—
849	7	16-1/8"	—	1	—
850	8	17-15/16"	—	1	—
851	9	19-3/4"	—	1	—

DEVICE COVERS FOR GANG BOXES RAISED 3/4"					
CATALOG NUMBER	NO. OF GANGS	WIDTH	CU. IN.	STD. PKG.	UPC BAR CODE
821	2	7-1/16"	10.0	5	—
822	3	8-7/8"	15.3	5	
823	4	10-11/16"	20.3	5	
824	5	12-1/2"	25.5	5	—
825	6	14-5/16"	30.5	1	—
826	7	16-1/8"	35.5	1	—
827	8	17-15/16"	40.8	1	—
828	9	19-3/4"	45.8	1	—

LOW VOLTAGE PARTITION FOR GANG BOXES			
CATALOG NUMBER	DESCRIPTION	STD. PKG.	UPC BAR CODE
974	For 1-5/8" Deep	25	—
949	For 2-1/2" Deep	25	—



Applications

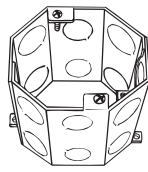
- Concrete rings are used with poured deck (floor) in high-rise construction
- These boxes are installed on wooden or steel concrete forms. After the forms are removed, the box is flush with the concrete
- RACO® Ceiling Fan Concrete Ring 284 is listed for support of ceiling fans

Product Features

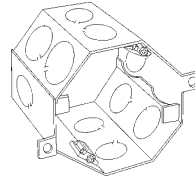
- Flat sides provide excellent contact for locknuts
- External ears are used to nail the ring to the wood form
- The top cover is removable for before-pour work
- Ears on inside of box are for fixtures
- Waxed fixture ears prevent concrete from interfering with the threads
- Variety of cover plates are available
- Cover plate must be ordered separately with all (except 280 which includes a 891 cover) RACO® concrete rings

Compliance

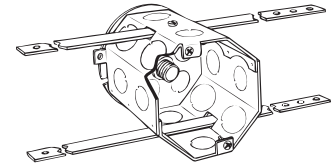
-  – File E195978



273, 274, 275,
276, 279



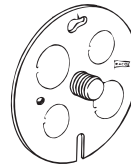
284
GORILLA-RING™



*280 SHOWN
WITH 918 BARS



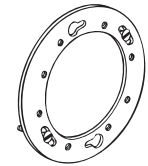
890



891



892



893

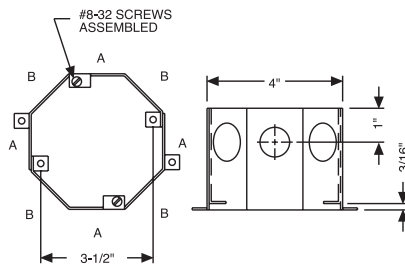
ORDERING INFORMATION - DIMENSIONS

CONCRETE RINGS								
CATALOG NUMBER	DEPTH	KO SIZES	NO. ROWS KO's	CU. IN.	STD. PKG.	UPC BAR CODE	MAX. RECOMMENDED SUPPORT LOADS	
							CEILING FAN (DYNAMIC) LBS.	FIXTURE (STATIC) LBS.
270RAC	2"	1/2" & 3/4"	Single	24.5	25	—	No	50
271	2-1/2"	1/2" & 3/4"	Single	30.8	25	—	No	50
272	3"	1/2" & 3/4"	Single	37.0	25	—	No	50
277	3"	3/4" & 1"	Single	37.0	25	—	No	50
273	3-1/2"	1/2" & 3/4"	Double	43.0	20	—	No	50
278	3-1/2"	3/4" & 1"	Single	43.0	20	—	No	50
274	4"	1/2" & 3/4"	Double	49.3	20	—	No	50
279	4"	3/4" & 1"	Double	49.3	20	—	No	50
275	5"	1/2" & 3/4"	Double	61.5	10	—	No	50
276	6"	1/2" & 3/4"	Double	74.0	10	—	No	50
284	4"	1/2" & 3/4"	Double	49.3	6	—	35	75

HUNG CEILING BOX - 3-1/2" DEEP				
CATALOG NUMBER	DESCRIPTION	CU. IN.	STD. PKG.	UPC BAR CODE
280	3/8" Stud, 8-1/2", 8-3/4" KO's*	43.0	20	—
918	30" Long bars for hung ceiling box	—	40	—

*Order bars separately

STEEL CONCRETE RINGS



CONCRETE RING - BACK PLATES/COVERS AND ADAPTER RING					
CATALOG NUMBER	DESCRIPTION	KNOCKOUTS	O.D. DIAM.	STD. PKG.	UPC BAR CODE
890	—	3-1/2", 2-3/4"	4-1/2"	25	—
891	3/8" Stud	2-1/2", 2-3/4"	4-1/2"	25	—
892	Flat, blank	—	4-1/2"	25	—
893	Joins Oct. Ext. ring to concrete ring Includes two retained screws	—	4-1/2"	50	—

KNOCKOUT LOCATIONS		
KNOCKOUT SIZE	A	B
1/2" and 3/4" KOs	1/2"	3/4"
3/4" and 1" KOs	3/4"	1"

MASONRY BOXES
2-1/2" AND 3-1/2" DEEP


Applications

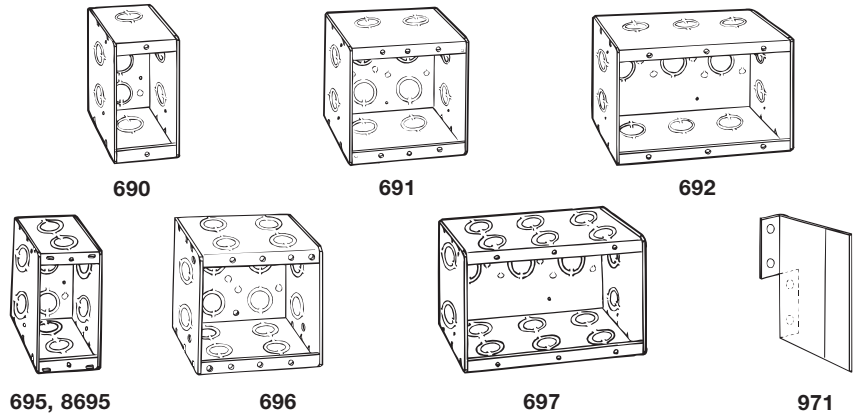
- Masonry boxes are designed to accommodate the mounting of switches or other devices in masonry walls
- 2-1/2" deep box is used on 4" block
- 3-1/2" deep box is used on 6" and 8" block

Product Features

- Rugged welded construction does not fall apart during construction
- Available from one- to six-gang in 2-1/2" or 3-1/2" depths
- Rectangular shape fits square cuts in block
- Have 1/2" and 3/4" concentric KO's for use with a wide variety of wiring methods
- Large volume design allows for additional work room inside the box
- Device ears are formed inside the box, preventing mortar from getting in the device holes
- Low voltage partition 971 will fit all 2-1/2" or 3-1/2" depths
- Standard wall plates cover the box

Compliance

-  – File E195978 (Cat. #971 not UL Listed)



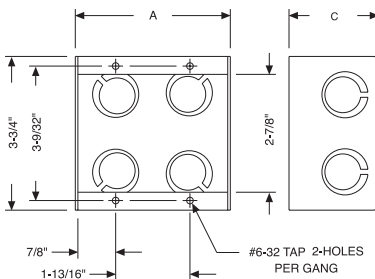
ORDERING INFORMATION - DIMENSIONS

MASONRY BOXES – 2-1/2" DEEP – NONGANGABLE WITH CONDUIT KO'S							
CATALOG NUMBER	NO. OF GANGS	WIDTH	KNOCKOUTS		CU. IN.	STD. PKG.	UPC BAR CODE
			ENDS	BOTTOM			
690	1	1-31/32"	2	2	16.0	25	—
691	2	3-25/32"	4	4	31.8	25	—
692	3	5-19/32"	6	3	47.8	10	—
693	4	7-13/32"	8	4	63.5	10	—
694	5	9-7/32"	10	5	79.5	10	—
960	6	11 1/32"	12	6	95.3	1	—

MASONRY BOXES – 3-1/2" DEEP – NONGANGABLE WITH CONDUIT KO'S							
CATALOG NUMBER	NO. OF GANGS	WIDTH	KNOCKOUTS		CU. IN.	STD. PKG.	UPC BAR CODE
			ENDS	BOTTOM			
695	1	1-31/32"	4	2	22.5	25	—
8695	1	1-31/32"	4	2	22.5	25	
696	2	3-25/32"	8	4	45.0	10	
697	3	5-19/32"	12	3	67.3	10	
698	4	7-13/32"	16	4	89.8	10	—
699	5	9-7/32"	20	5	112.3	10	—
965	6	1-11/32"	24	6	134.8	1	—

LOW VOLTAGE PARTITION FOR MASONRY BOXES			
CATALOG NUMBER	DESCRIPTION	STD. PKG.	UPC BAR CODE
971	For 2-1/2" or 3-1/2" deep boxes	—	25

STEEL MASONRY BOXES



DIMENSIONS				
CATALOG NUMBER	NO. OF GANGS	A	B	
690	1	1-31/32"	2-1/2"	
691	2	3-25/32"	2-1/2"	
692	3	5-9/16"	2-1/2"	
693	4	7-13/32"	2-1/2"	
694	5	9-7/32"	2-1/2"	
960	6	1-11/32"	2-1/2"	
695,8695	1	1-31/32"	3-1/2"	
696	2	3-25/32"	3-1/2"	
697	3	5-9/16"	3-1/2"	
698	4	7-13/32"	3-1/2"	
699	5	9-7/32"	3-1/2"	
965	6	1-11/32"	3-1/2"	

Application

- Adjustable bar hanger allows box to be placed between ceiling joists or wall studs quickly and easily

Product Features

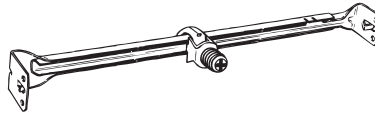
- Both RACO® 920 and 922 bar fixture hangers allow box to be located anywhere along length of bar
- RACO® 920 includes 3/8" trade size stud to accommodate fixture stem
- 922 Clip installs in 1/2" knockout located in bottom (back) of box
- RACO® box must be ordered separately

Box Installation

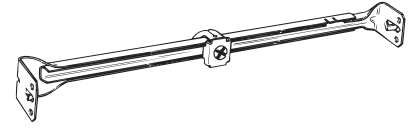
- Bar hangers attach to octagon or square boxes through center 1/2" knockouts
- Remove the knockout
- Remove the screw and fixture stud (or clip) from bar hanger
- Place the stud inside the box and replace the screw
- When box is located accurately between the joists, tighten the screw securely

Compliance

-  – File E195978



920, 8920



922

ORDERING INFORMATION - DIMENSIONS

ADJUSTABLE BAR HANGERS					
CATALOG NUMBER	DESCRIPTION	STD. PKG.	UPC BAR CODE	MAX. RECOMMENDED SUPPORT LOADS	
				CEILING FAN (DYNAMIC) LBS.	FIXTURE (STATIC) LBS.
920	3/8" Stud, adj. 14-1/4" to 22-1/2"	50	—	No	10*
8920	3/8" Stud, adj. 14-1/4" to 22-1/2"	50		No	10*
922	Clip, adj. 14-1/4" to 22-1/2"	50	—	No	10*

*UL Rated at 50 lbs.



RACO

ACCESSORIES FOR STEEL BOXES

Far Side Box Support Application

- Prevents installed box from “floating” in wall cavity

Far Side Box Support Features

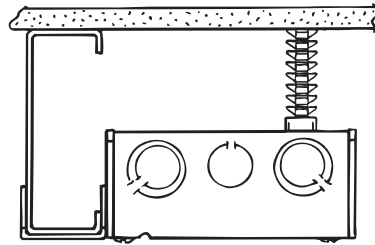
- Snaps into hole in back of box
- Easy to cut to fit depth of cavity

BOX-LOC® Application

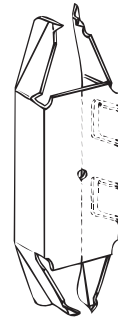
- Allows any box to be attached to either side of a metal stud quickly and easily

BOX-LOC® Product Features

- Patented spring steel design
- Installs in seconds without tools
- Mounts on either side of stud
- Repositions easily
- Bracket may be added to any RACO® 4" or 4-11/16" square steel box — simply tap the bracket with a hammer and the barbed hooks hold it in place
- BOX-LOC® also fits RACO® 7220 and 7232, 4" square PVC boxes
- BOX-LOC® is a snap to install. Place the bracket on the open side of the stud first. Slots in the bracket engage the lip of the stud and actually crimp it as you press the bracket on the stud. Barbed hooks dig into the flat side of the stud, locking it in place



978
INSTALLED



BOX-LOC®
980



978

RACO STEEL BOXES
& COVERS

ORDERING INFORMATION - DIMENSIONS

BOX-LOC® METAL STUD CLIP			
CATALOG NUMBER	DESCRIPTION	STD. PKG.	UPC BAR CODE
980	Spring-steel bracket	50	

FAR SIDE BOX SUPPORT			
CATALOG NUMBER	DESCRIPTION	STD. PKG.	UPC BAR CODE
978	1-7/8" Rigid, plastic support	50	—

Adjust-A-Brace™ Application

- Adjust-A-Brace™ is used to mount electrical outlet boxes between studs

Adjust-A-Brace™ Product Features

- Time saver for the installer
- One brace will handle different types and depths of boxes — 4" or 4-11/16"
- Gives the freedom to choose the location
- No preset locations
- Ruler marks are stamped on the brace for consistent outlet box placement every time

“Old Work Saddle” Application

- The “Old Work Saddle” #970 is designed to be used with 2-1/2" deep switch boxes that have plaster ears

“Old Work Saddle” Product Feature

- #970 installs into the 1/2" bottom conduit knockout. When the box is slipped into the hollow wall, the bracket springs out behind the wall. Tighten the screw and the box is rigidly in place



GRIP-LOK™ Application

- The GRIP-LOK™ support is designed to be used with any deep switch box that has plaster ears

GRIP-LOK™ Product Feature

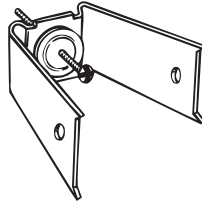
- Simply slip GRIP-LOK™ between box and wall, then bend tabs into the box

Compliances

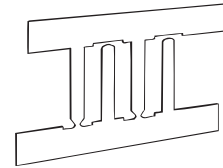
-  – File E195978 (not 970RAC)
-  – C 22.2 #18 Certified for Canada (not 970RAC, 977)



ADJUST-A-BRACE™
985



970RAC



GRIP-LOK™
977, 8977, 8977-5

ORDERING INFORMATION - DIMENSIONS

ADJUST-A-BRACE™ OUTLET BOX SUPPORT			
CATALOG NUMBER	DESCRIPTION	STD. PKG.	UPC BAR CODE
985	For 16" on center studs	25	
986	For 24" on center studs	25	

SWITCH BOX SUPPORT “OLD WORK SADDLE”			
CATALOG NUMBER	DESCRIPTION	STD. PKG.	UPC BAR CODE
970RAC	Mounts switch boxes with plaster ears in hollow walls or ceilings	10	

GRIP-LOK™ “OLD WORK” SWITCH BOX SUPPORT			
CATALOG NUMBER	DESCRIPTION	STD. PKG.	UPC BAR CODE
977	Supplied as a pair. Use pair to mount switch box with plaster ears in hollow wall, 1-7/8" long legs	100 pairs	—
8977	Supplied as a pair. Use pair to mount switch box with plaster ears in hollow wall, 1-7/8" long legs	100 pairs	
8977-5	Supplied as a pair. Use pair to mount switch box with plaster ears in hollow wall, 1-7/8" long legs	100 pairs*	

*4 Bundles of 25

SWITCH BOX ACCESSORIES				
CATALOG NUMBER	DESCRIPTION	FOR RACO SWITCH BOXES	STD. PKG.	UPC BAR CODE
961	Plaster Ears - Open Style w/screws	410, 420, 440, 445, 500, 503, 506, 508, 526, 545, 560, 565, 567, 570RAC, 590, 600, 601	100	
962	Plaster Ears - Clipped Style w/screws	150, 400, 591	100	
963	Plaster Ears - 1 Screw Style w/screws	471, 487, 517, 518, 519, 523	100	
964	Old Work Griptite Clip w/screws	523	100	
966	Old Work Tigerclip Clip w/screws	487, 506, 517	100	



RACO

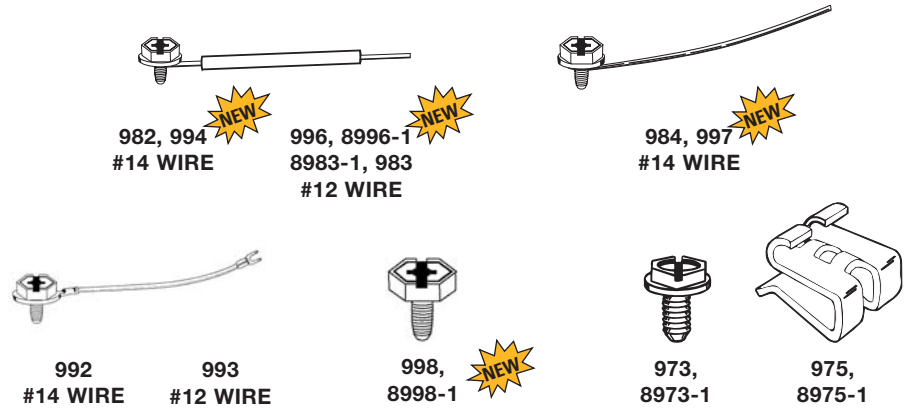
ACCESSORIES FOR STEEL BOXES

Grounding Applications

- Grounding accessories provide a safe electrical path to ground to help prevent shock
- Grounding screws thread into the box and provide a means of fastening the ground conductor
- Ground wires fasten to the box and are then connected to wiring system or wiring device
- RACO® 6" and 8" ground pigtails feature 4-way (slotted, phillips, hex-head) combo 10-32 captive screw
- Ground clips provide a quick method of fastening a ground conductor to the edge of a steel outlet box
- Ground clips are designed for use with solid No. 14, 12, and 10 gauge copper conductor or No. 12 and 10 gauge aluminum conductor
- Only one solid ground wire to be installed per ground clip

Compliance

-  – File E195978 (975 only)



ORDERING INFORMATION - DIMENSIONS

GROUNDING PIGTAILS				
CATALOG NUMBER	WIRE LENGTH	DESCRIPTION	STD. PKG.	UPC BAR CODE
982	994	#14 Solid insulated copper wire, captive 4-way combo head green dye finish ground screw one end (25 pc. bundles)	1000	—
983	996	#12 Solid insulated copper wire, captive 4-way combo head green dye finish ground screw one end (25 pc. bundles)	1000	—
8983-1	8996-1	#12 Solid insulated copper wire, captive 4-way combo head green dye finish ground screw one end, poly bag (10 pcs per poly bag)	40 bags*	
984	997	#14 Solid bare copper wire, captive 4-way combo head green dye finish ground screw one end (25 pc. bundles)	1000	—
	992	#14 Stranded insulated copper wire, captive 4-way combo head green dye finish ground screw one end, spade terminal one end (100 pc. bundles)	500	—
	993	#12 Stranded insulated copper wire, captive 4-way combo head green dye finish ground screw one end, spade terminal one end (100 pc. bundles)	500	—

GROUNDING SCREWS AND CLIPS			
CATALOG NUMBER	DESCRIPTION	STD. PKG.	UPC BAR CODE
998	4-Way combo head green dye finish ground screw for 10-32 tapped hole, clam shell package (100 pcs per clam shell)	1000	
8998-1	4-Way combo head green dye finish ground screw for 10-32 tapped hole, poly bag (10 pcs. per bag)	50 bags*	
973	Slotted head green dye finish ground screw for 10-32 tapped hole, clam shell package (100 pcs per clam shell)	1000	
8973-1	Slotted head green dye finish ground screw for 10-32 tapped hole, poly bag (10 pcs. per bag)	50 bags*	
975	Green dye finish ground clip for #14-#10 AWG copper, clam shell package (100 pcs per clam shell)	1000	
8975-1	Green dye finish ground clip for #14-#10 AWG copper, poly bag (10 pcs. per bag)	50 bags*	

*Order standard package bag quantities only, not per piece

Add-A-Depth Applications

- Add-A-Depth ring or “goof-ring” is designed to act as a barrier between combustible wall surfaces and the wiring system
- For single and two-gang device boxes
- There is no UL standard for this product
- Subject to acceptance by an electric inspector

The NEC Code States: 370-20. in Wall or Ceiling

- In walls or ceilings of concrete, tile, or other non-combustible material, boxes shall be installed so that the front edge of the box will not set back of the finished surface more than 1/4 inch (6.35 mm). In walls and ceilings constructed of wood or other combustible material, boxes shall be flush with the finished surface or project there from

Nailing Spur Applications

- Protects nonmetallic sheathed cable or raceway type wires running through wood studs, joists, rafters or similar structural wood members from accidental nail, screw or drill penetration
- No nails required

Compliance

-  – File E195978 (except 976)




976



2709,
2710

ORDERING INFORMATION - DIMENSIONS

ADD-A-DEPTH RING EXTENDS SWITCH BOX SET TOO DEEP IN WALL			
CATALOG NUMBER	DESCRIPTION	STD. PKG.	UPC BAR CODE
976	Adjustment range 1/4"-1" Two 1-1/8" screws included	25	

CABLE PROTECTOR			
CATALOG NUMBER	DESCRIPTION	STD. PKG.	UPC BAR CODE
2709	Nailing spurs, 3"H x 1-1/2"W x 1/16"D, 1/2" spike	100	
2710	Nailing spurs, 3"H x 1-1/2"W x 1/16"D, 1/2" spike	200	—

**ACCESSORIES FOR STEEL BOXES
BOX FIRESTOP PRODUCTS**

Applications

- RACO® WALL-GUARD firestop products are used in applications where electrical boxes are positioned back to back or less than 24" apart in wall cavities
- The 1999 UL Fire Resistance Directory (Orange Book) mandates that "metallic boxes located on opposite sides of walls or partitions shall be separated by a minimum horizontal distance of 24 inches. This separation distance between metallic boxes may be reduced when Wall Opening Protective Materials (CLIV) are installed with the metallic boxes"



903



904



905

**Internal/Insert Pad
Product Features**

- Using predetermined cut lines, pads can be cut and inserted on the inside of any 3" x 2", 4" x 2" or 4" x 4" steel electrical box
- When exposed to fire, RACO® WALL-GUARD inserts expand, forming a "char" that will seal off the opening and prevent the spread of flames
- Limit the temperature rise on the unexposed surfaces
- Easy to install using provided self adhesive strip
- Highly intumescent
- Non-conductive
- Dielectric breakdown voltage 22V/mil (ASTMD149)

External Pad Product Features

- RACO® WALL-GUARD putty pads are applied to the outside of any steel or nonmetallic electrical outlet or switch box
- Soft, pliable material is easy to work with and conforms to contour of any shape box
- Help reduce sound transmission through walls

ORDERING INFORMATION - DIMENSIONS

- Only one pad is required for a 1 or 2 hour fire rating
- No additional putty is needed to plug the end of each electrical tube or conduit at its connection to box

Compliance



WALL-GUARD FIRESTOP BOX - INTERNAL/INSERT PADS					
CATALOG NUMBER	DESCRIPTION	PAD SIZE	FULL PAD VOLUME CU. IN.	STD. PKG.	UPC BAR CODE
903	Each pad - for (1) 4" box, (2) 4" x 2" boxes or (2) 3" x 2" boxes	4" x 4"	3.5	20	
904	Each pad - for 3" x 2" switch box only	3" x 2"	1.8	20	

WALL-GUARD FIRESTOP BOX - EXTERNAL PAD				
CATALOG NUMBER	DESCRIPTION	PAD SIZE	STD. PKG.	UPC BAR CODE
905	Soft pliable, putty-pad	7" x 6"	20	



SURFACE MOUNT BOXES 4" SQUARE, 4-11/16" SQUARE, HANDY BOXES

COMING SOON

Applications

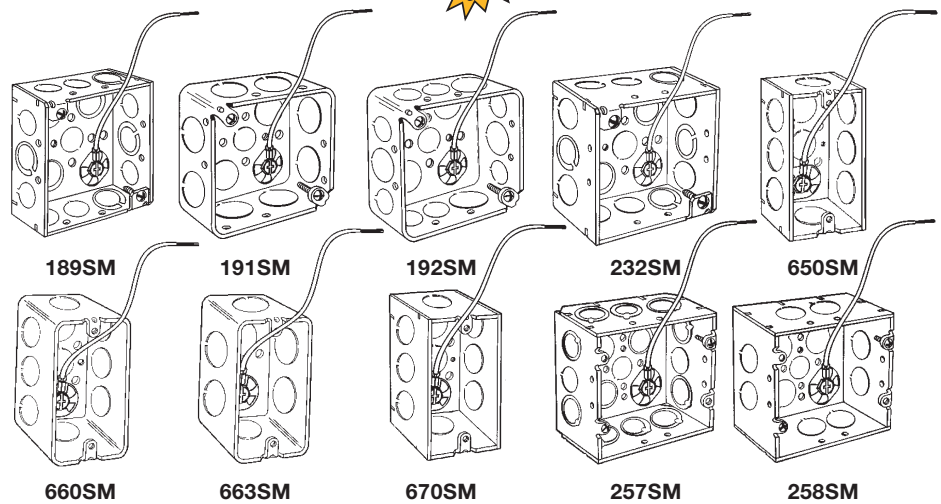
- RACO Surface Mount Boxes are specifically designed for exposed work, flush mount applications where an alternative to conduit grounding is required
- Boxes are installed on walls or ceilings to support lighting fixtures, switches or receptacles
- Square boxes are used where multiple conductor runs are split into two or more directions to bring power to a number of electrical devices
- Handy boxes are used to house wiring devices such as switches or outlets and as small junction boxes

Product Features

- Raised ground screw emboss on bottom of box eliminates ground screw/surface interference when mounted on flat surface
- All RACO Surface Mount Boxes include a pre-assembled 3-way ground screw and 8" long, #12 stranded pigtail saving both time and labor for the installer

Compliance

-  – File E195978



ORDERING INFORMATION - DIMENSIONS

MASONRY BOXES – 2-1/2" DEEP – NONGANGABLE WITH CONDUIT KO'S							
CATALOG NUMBER	DESCRIPTION	DEPTH	KNOCKOUTS		CU. IN.	STD. PKG.	UPC BAR CODE
			SIDES COND.	BOTTOM COND.			
189SM	Welded	1-1/2"	8-1/2", 4-TKO	2-1/2", 2-TKO	21.0	50	
191SM	Drawn	1-1/2"	8-3/4"	1-1/2", 3-3/4"	21.0	50	
192SM	Drawn	1-1/2"	8-1/2", 4-TKO	2-1/2", 2-3/4"	21.0	50	
232SM	Welded	2-1/3"	8-1/2", 4-TKO	2-1/2", 2-TKO	30.3	25	

4" X 2" SURFACE MOUNT HANDY BOXES WITH CONDUIT KO'S								
CATALOG NUMBER	DESCRIPTION	DEPTH	KNOCKOUTS			CU. IN.	STD. PKG.	UPC BAR CODE
			SIDES COND.	ENDS COND.	BOTTOM COND.			
650SM	Welded	1-1/2"	6-1/2"	2-1/2"	2-1/2"	11.5	50	
660SM	Drawn	1-7/8"	6-1/2"	2-1/2"	2-1/2"	13.0	50	
663SM	Drawn	1-7/8"	4-3/4"	2-3/4"	1-3/4"	13.0	50	
670SM	Welded	2-1/8"	6-1/2"	2-1/2"	2-1/2"	16.5	50	

4-11/16" SQUARE SURFACE MOUNT BOXES WITH CONDUIT KO'S							
CATALOG NUMBER	DESCRIPTION	DEPTH	KNOCKOUTS		CU. IN.	STD. PKG.	UPC BAR CODE
			SIDES COND.	BOTTOM COND.			
189SM	Welded	1-1/2"	8-1/2", 4-TKO	2-1/2", 2-TKO	21.0	50	
257SM	Welded	2-1/8"	2-1/2", 10-TKO	1-1/2", 1-3/4" 2-TKO	42.0	25	
258SM	Welded	2-1/8"	8-1"	2-1/2", 2-3/4"	42.0	25	